

# 3.0 MM ( FT TYPE )

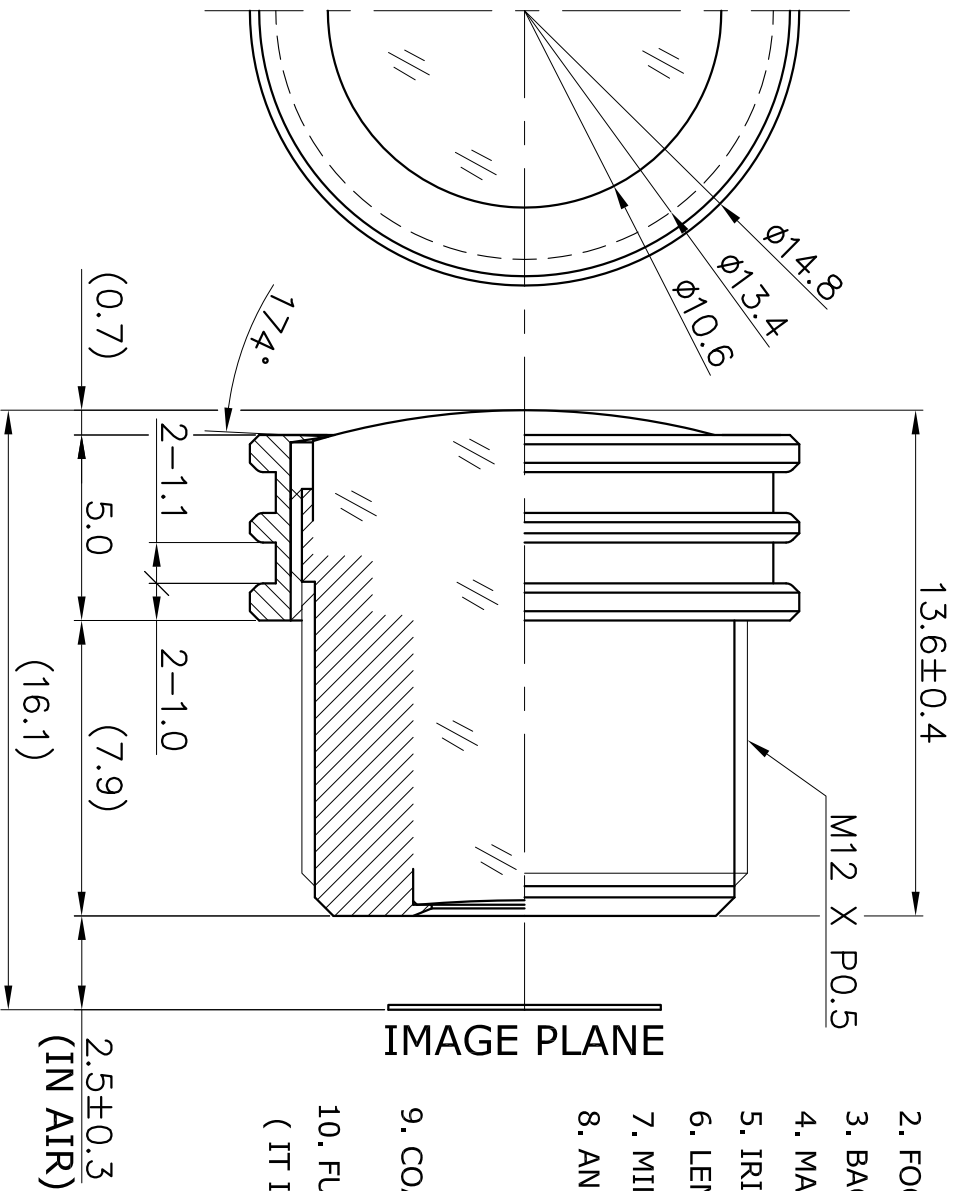


IMAGE PLANE

1. SENSING AREA : OV7949PAL & 1/3"CCD
2. FOCAL LENGTH : 3.0MM ± 5%
3. BACK FOCAL LENGTH : 2.9MM ± 5% (IN AIR)
4. MAXIMUM RELATIVE APERTURE : 2.5 ± 5%
5. IRIS : FIXED
6. LENS CONSTRUCTION : 5COMPONENTS SELEMENTS
7. MINIMUM OBJECT DISTANCE : 40CM -00
8. ANGULAR FIELD OF VIEW : OV7949PAL & 1/3"CCD  
 DIAGONAL 174.0° 130.1°  
 HORIZONTAL 130.0° 100.2°  
 VERTICAL 88.3° 73.5°
9. COATING : Anti-fog Coating & HARD Coating  
 Single Coating
10. FUNCTION : Waterproof Lens  
 ( IT IS CHANGEABLE ON EXTERNAL DIMENSION  
 BY CUSTOMER'S REQUIREMENT. )



A4	Scale	N/S			Dwg No.	HK-A305S(WP)	DATE	2019.01.07	REVISION NO.								
										<table border="1"> <tr> <th colspan="2">TOLERANCES</th> <th>Designed</th> <th>E Y .KIM</th> </tr> <tr> <td>ANGLE 1°/2</td> <td>Checked</td> <td>J H .PARK</td> <td>Title</td> </tr> <tr> <td>X. ± 0.2</td> <td rowspan="2">Approved</td> <td rowspan="2"></td> <td rowspan="2">f=3.0mm F/2.5 OV7949 Automotive Waterproof Lens</td> </tr> <tr> <td>.X ± 0.1</td> </tr> <tr> <td>.XX ± 0.05</td> <td></td> <td></td> <td></td> </tr> </table>	TOLERANCES		Designed	E Y .KIM	ANGLE 1°/2	Checked	J H .PARK
TOLERANCES		Designed	E Y .KIM														
ANGLE 1°/2	Checked	J H .PARK	Title														
X. ± 0.2	Approved		f=3.0mm F/2.5 OV7949 Automotive Waterproof Lens														
.X ± 0.1																	
.XX ± 0.05																	

E-mail : hki9612@hkopto.com  
 Website : http://www.hkopto.com