

2.4MM (FT TYPE)

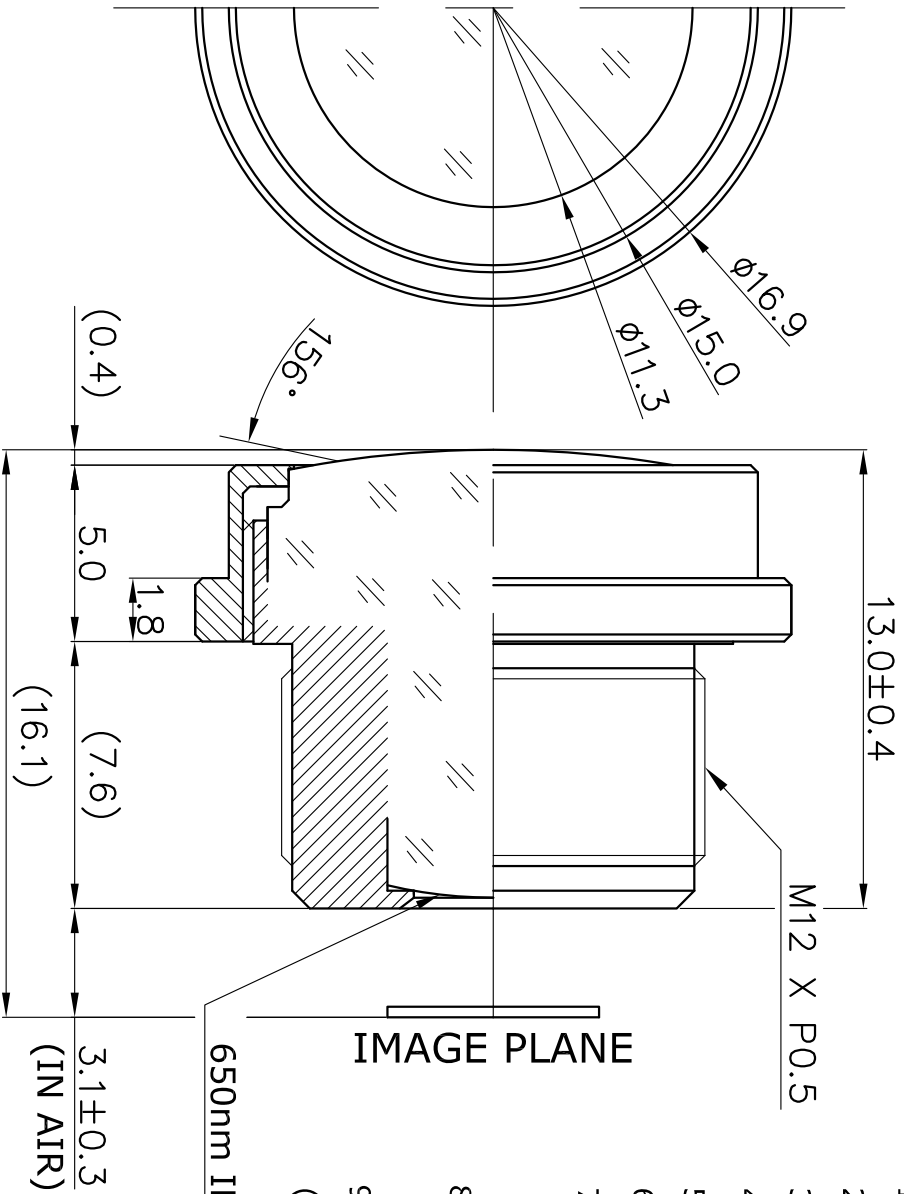


IMAGE PLANE

650nm IR-CUT COATING

1. SENSING AREA : 1/4" CMOS (OV7950)
2. FOCAL LENGTH : 2.4MM \pm 5%
3. BACK FOCAL LENGTH : 3.4MM \pm 5% (IN AIR)
4. MAXIMUM RELATIVE APERTURE : 2.5 \pm 5%
5. IRIS : FIXED
6. LENS CONSTRUCTION : 5COMPONENTS SELEMENTS
7. ANGULAR FIELD OF VIEW : DIAGONAL 156.0°
HORIZONTAL 109.0°
VERTICAL 78.7°
8. COATING : Anti-fog Coating & HARD Coating
650nm IR-CUT COATING
9. FUNCTION : Waterproof Lens
(IT IS CHANGEABLE ON EXTERNAL DIMENSION BY
CUSTOMER'S REQUIREMENT.)

3.1 \pm 0.3
(IN AIR)

E-mail : hki9612@hkopto.com
Website : http://hkopto.com

| | | | | | | | | | |
|----|-------|-----------------------|----------------|-----------|----------|--------------|--|------------|--------------|
| | | TOLERANCES | | Designed | E Y .KIM | Title | f=2.4mm F/2.5 CMOS(OV7950) Waterproof Automotive Lens | | |
| | | ANGLE 1 $\frac{1}{2}$ | Checked | J H .PARK | | | | | |
| A4 | Scale | N/S | X. \pm 0.2 | Approved | Dwg No. | HK-A245S(WP) | DATE | 2019.01.14 | REVISION NO. |
| | | | .X \pm 0.1 | | | | | | |
| | | | .XX \pm 0.05 | | | | | | -00 |