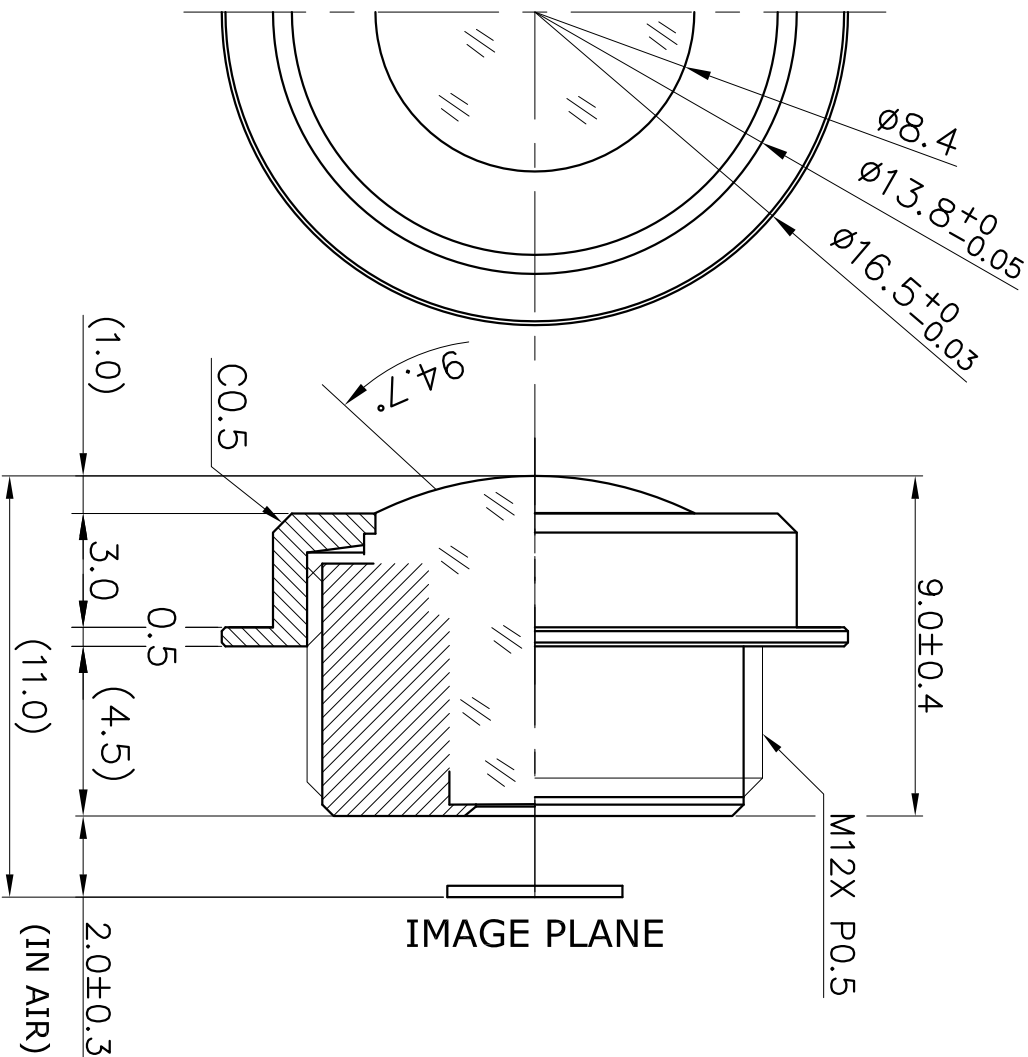


2.5MM (FT TYPE)



1. SENSING AREA : 1/4" CCD
 2. FOCAL LENGTH : 2.5MM \pm 5%
 3. BACK FOCAL LENGTH : 2.3MM \pm 5%
 4. MAXIMUM RELATIVE APERTURE : 2.5 \pm 5%
 5. IRIS : FIXED
 6. LENS CONSTRUCTION : SELEMENTS (1ASP / 4G)
 7. ANGULAR FIELD OF VIEW :
 DIAGONAL 94.7°
 HORIZONTAL 78.2°
 VERTICAL 59.8°
 8. COATING : Anti-fog Coating & HARD Coating
 9. FUNCTION : Waterproof Lens
- (IT IS CHANGEABLE ON EXTERNAL DIMENSION
 BY CUSTOMER'S REQUIREMENT.)

E-mail : hki9612@hkopto.com
 Website : http://www.hkopto.com

		TOLERANCES		Designed	BANG HYE SUN	Title	f=2.5MM Fno 2.5 Automotive Lens
		ANGLE 1°/2	Checked	PARK JIN HYUN			
A4	Scale	N/S	X. \pm 0.2	Approved	Dwg No.	DATE	REVISION NO.
			.X \pm 0.1				
			.XX \pm 0.05				