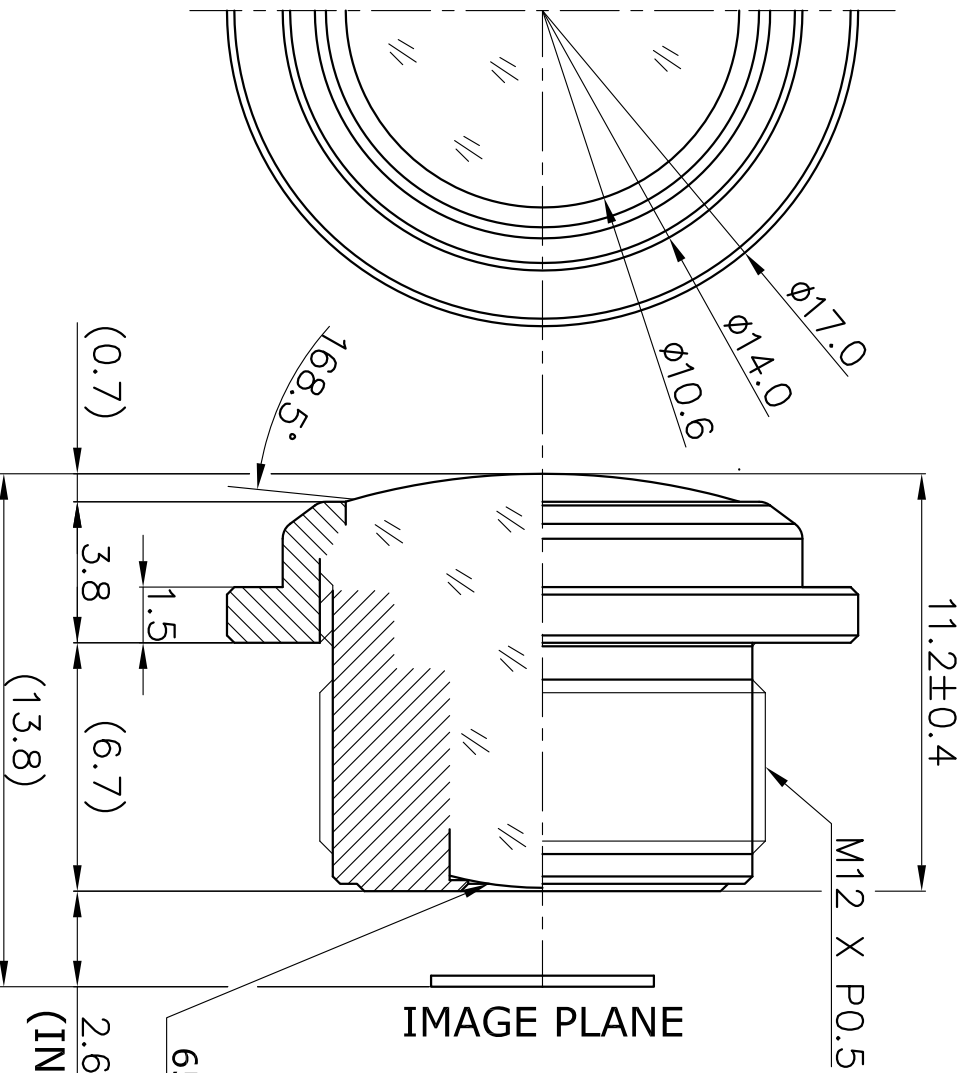


# 2.3MM ( FT TYPE )



2.6±0.3  
(IN AIR)

650nm IR-CUT COATING

- 1. SENSING AREA : 1/3" CCD & 1/3"CMOS (OV7949NTSC)
- 2. FOCAL LENGTH : 2.3MM ± 5%
- 3. BACK FOCAL LENGTH : 2.7MM ± 5% (IN AIR)
- 4. MAXIMUM RELATIVE APERTURE : 2.5 ± 5%
- 5. IRIS : FIXED
- 6. LENS CONSTRUCTION : 6 ELEMENTS (1ASP / 5G)
- 7. ANGULAR FIELD OF VIEW : 1/3" CMOS & 1/3" CCD
  - 163.8° & 168.5°
  - 122.0° & 125.1°
  - 90.1° & 91.0°
- 8. COATING : Anti-fog Coating & HARD Coating  
650nm IR-CUT COATING
- 9. FUNCTION : Waterproof Lens  
( IT IS CHANGEABLE ON EXTERNAL DIMENSION BY CUSTOMER'S REQUIREMENT.)

E-mail : hki9612@hkopto.com  
Website : http://hkopto.com



<b>A4</b> Scale N/S 	TOLERANCES	Designed	E Y .KIM	Title	f=2.3mm Fno2.5 1/3" CMOS (NTSC) Waterproof Automotive Lens
	ANGLE 1°/2 X. ± 0.2 .X ± 0.1 .XX ± 0.05	Checked Approved	J H .PARK		
Dwg No.	HK-A236S(WP)		DATE	2019.01.14	REVISION NO. -00