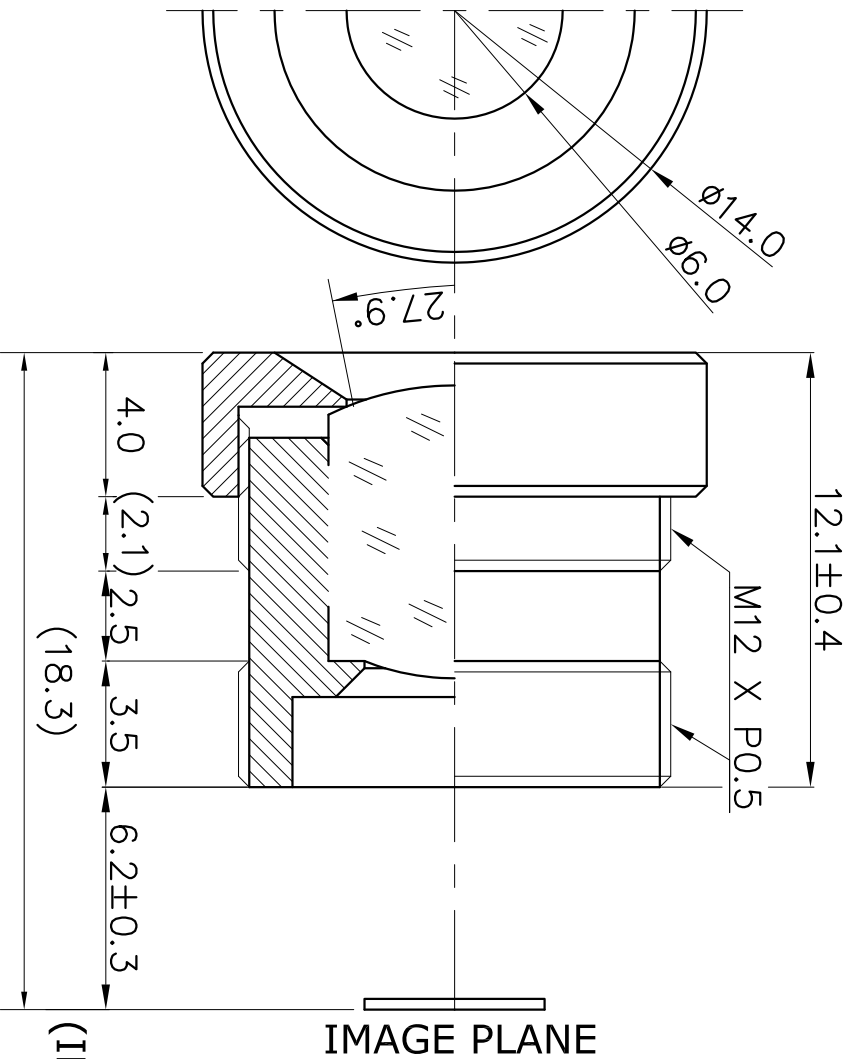


12.0MM (K TYPE)



(IN AIR)

IMAGE PLANE

1. SENSING AREA : 1/3" & 1/4" CCD
 2. FOCAL LENGTH : 12.0MM ± 5%
 3. BACK FOCAL LENGTH : 9.1MM ± 5% (IN AIR)
 4. MAXIMUM RELATIVE APERTURE : 2.0± 5%
 5. IRIS : FIXED
 6. LENS CONSTRUCTION : 3COMPONENTS 3ELEMENTS
 7. ANGULAR FIELD OF VIEW : 1/3" & 1/4"
 DIAGONAL 27.9° 20.9°
 HORIZONTAL 22.2° 16.9°
 VERTICAL 16.6° 12.5°
 8. MINIMUM OBJECT DISTANCE : 80 CM -00
 9. WEIGHT : 3.4gr
- (IT IS CHANGEABLE ON EXTERNAL DIMENSION BY
 BY CUSTOMER'S REQUIREMENT.)

E-mail : hki9612@hkopto.com
 Website : http://www.hkopto.com

		TOLERANCES		Designed	BANG HYE SUN	Title	FOR B/W & COLOR f=12.0MM Fno 2.0
		ANGLE 1°/2	Checked	PARK JIN HYUN			
X.	± 0.2	.X	± 0.1	Approved		DATE	250118
.XX	± 0.05						REVISION NO. -00
A4	Scale	N/S		Dwg No.	HK-V1203S		