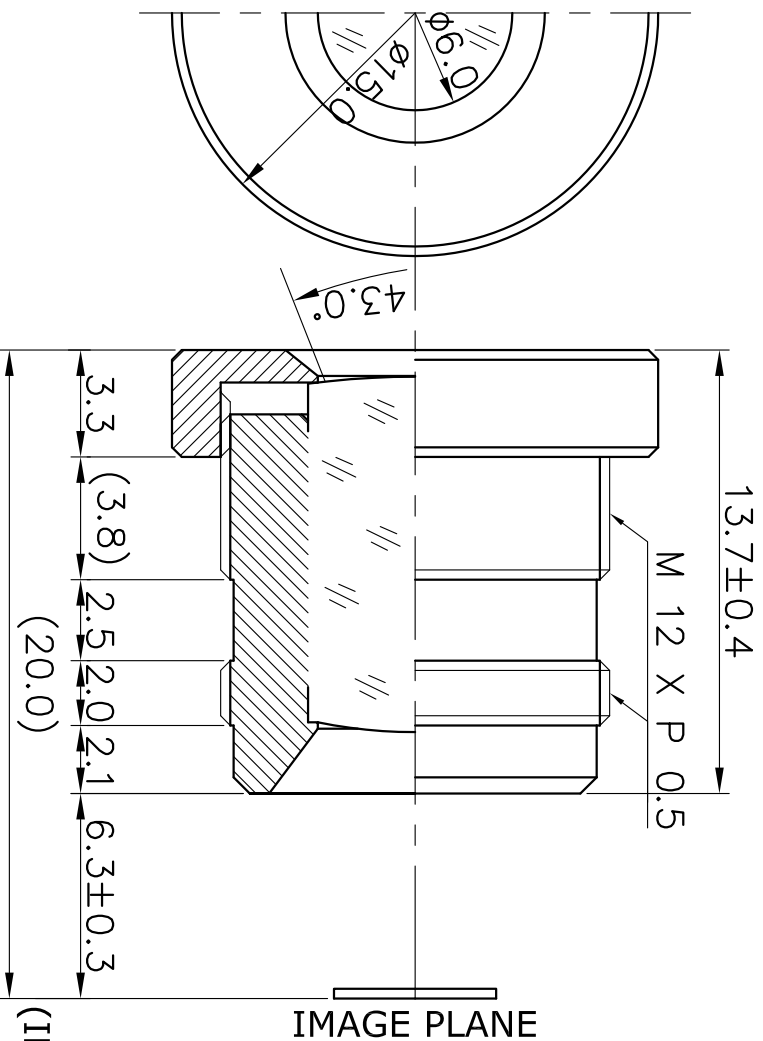


# 8.0MM (K TYPE)



1. SENSING AREA : 1/3" & 1/4" CCD
  2. FOCAL LENGTH : 8.0MM ± 5%
  3. BACK FOCAL LENGTH : 8.2MM ± 5% (IN AIR)
  4. MAXIMUM RELATIVE APERTURE : 2.0± 5%
  5. IRIS : FIXED
  6. LENS CONSTRUCTION : 4COMPONENTS 4ELEMENTS
  7. ANGULAR FIELD OF VIEW : 1/3" & 1/4"  
 DIAGONAL 43.0° 32.4°  
 HORIZONTAL 34.4° 26.0°  
 VERTICAL 26.1° 19.4°
  8. MINIMUM OBJECT DISTANCE : 40 CM -00
  9. WEIGHT : 4.3gr
- ( IT IS CHANGEABLE ON EXTERNAL DIMENSION BY  
 BY CUSTOMER'S REQUIREMENT.)

E-mail : hki9612@hkopto.com  
 Website : http://hkopto.com

		TOLERANCES	Designed	BANG HYE SUN	Title	FOR B/W & COLOR f=8.0MM Fno 2.0
		ANGLE 1°/2	Checked	PARK JIN HYUN		
A4	Scale	X. ± 0.2	Approved	Dwg No.	DATE	REVISION NO.
		.X ± 0.1				
	N/S	.XX ± 0.05		HK-V804S	2019.01.07	-00