

6.0MM (K TYPE)

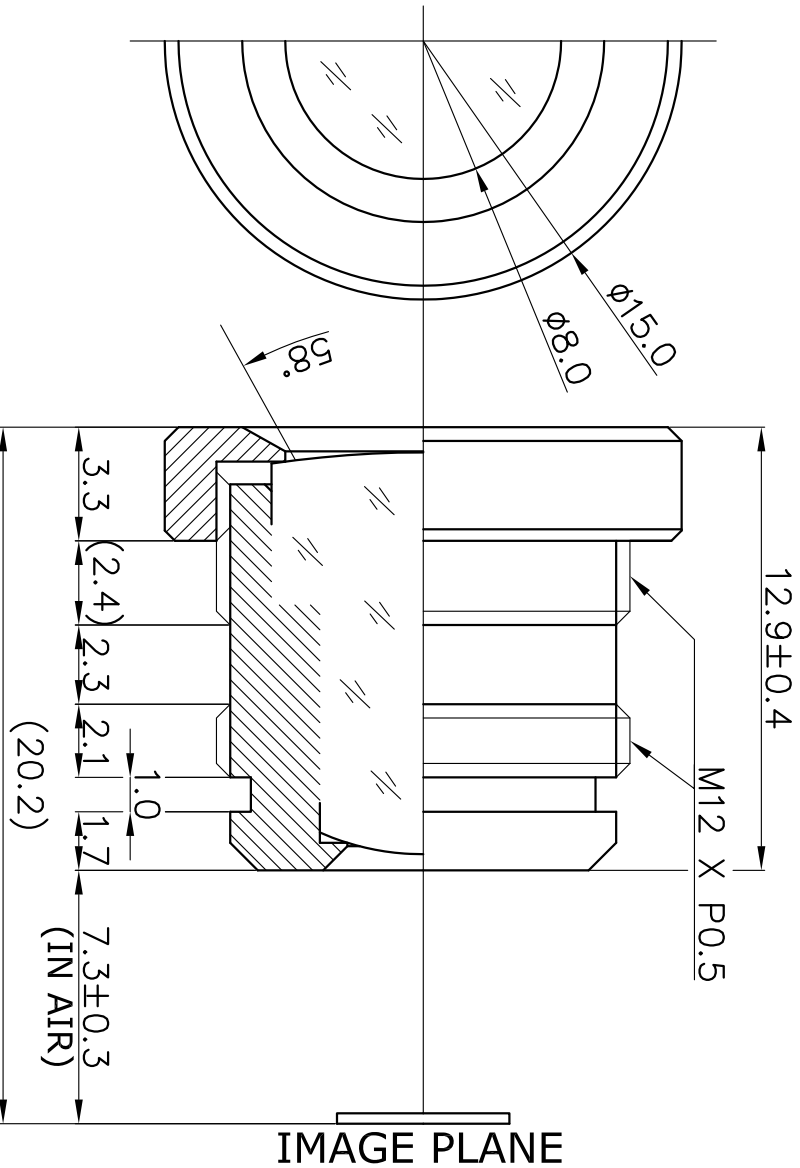


IMAGE PLANE

1. SENSING AREA : 1/3" & 1/4"
 2. FOCAL LENGTH : 6.0MM ± 5%
 3. BACK FOCAL LENGTH : 7.8MM ± 5% (IN AIR)
 4. MAXIMUM RELATIVE APERTURE : 2.0 ± 5%
 5. IRIS : FIXED
 6. LENS CONSTRUCTION : 5COMPONENTS SELEMENTS
 7. ANGULAR FIELD OF VIEW : 1/3" & 1/4"
 DIAGONAL 58.0° 42.7°
 HORIZONTAL 46.2° 34.9°
 VERTICAL 34.5° 26.0°
 8. MINIMUM OBJECT DISTANCE : 40CM -00
 9. WEIGHT : 4.1gr
- (IT IS CHANGEABLE ON EXTERNAL DIMENSION BY
 BY CUSTOMER'S REQUIREMENT.)

E-mail : hki9612@hkopto.com
 Website : http://hkopto.com

		TOLERANCES		Designed	E Y .KIM	Title	FOR B/W & COLOR f=6.0MM Fno 2.0
		ANGLE 1°/2	Checked	J H .PARK			
X.	± 0.2	.X	± 0.1	Approved		DATE	2019.01.07
.XX	± 0.05					REVISION NO.	-00
A4	Scale	N/S		Dwg No.	HK-V6055		