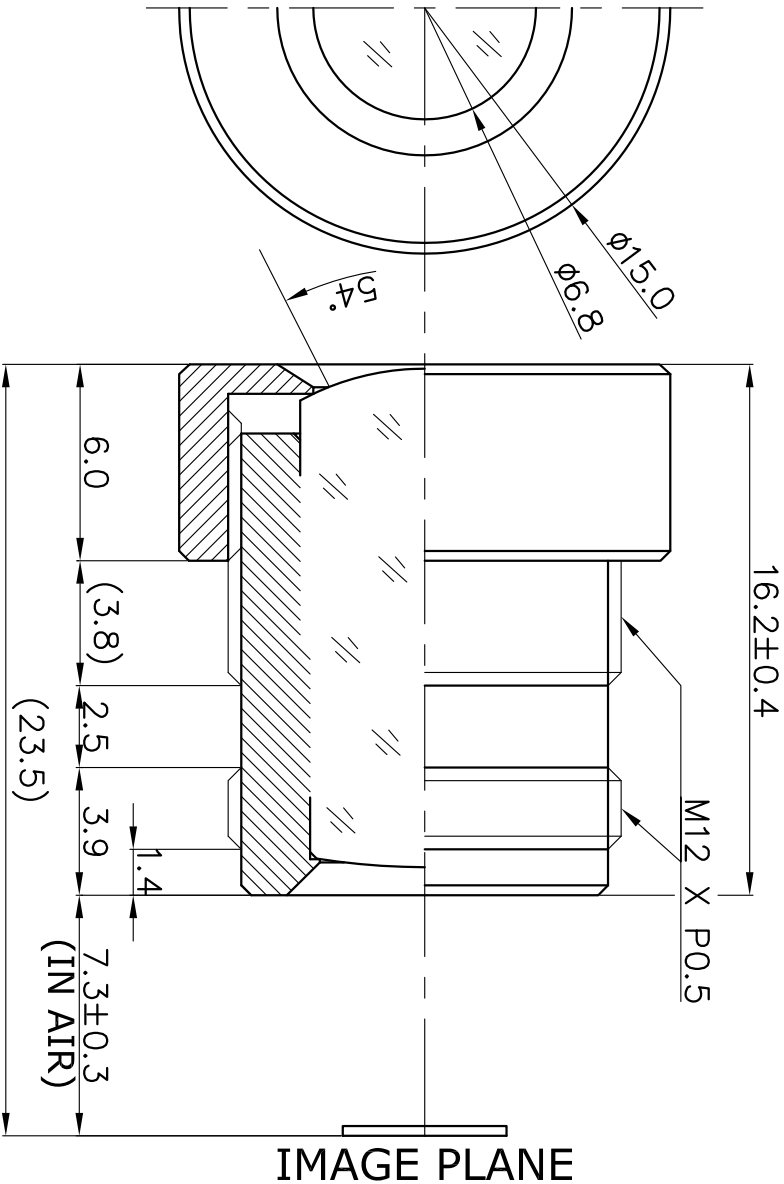


6.0MM (K TYPE)



1. SENSING AREA : 1/3" & 1/4" CCD
 2. FOCAL LENGTH : 6.0MM ± 5%
 3. BACK FOCAL LENGTH : 8.2MM ± 5% (IN AIR)
 4. MAXIMUM RELATIVE APERTURE : 2.0 ± 5%
 5. IRIS : FIXED
 6. LENS CONSTRUCTION : 4COMPONENTS 4ELEMENTS
 7. ANGULAR FIELD OF VIEW : 1/3" & 1/4"
 DIAGONAL 54.0° 43.0°
 HORIZONTAL 45.8° 34.5°
 VERTICAL 34.7° 25.6°
 8. MINIMUM OBJECT DISTANCE : 40 CM -00
 9. WEIGHT : 6.0gr
- (IT IS CHANGEABLE ON EXTERNAL DIMENSION BY
 BY CUSTOMER'S REQUIREMENT.)

E-mail : hki9612@hkopto.com
 Website : http://hkopto.com

		TOLERANCES	Designed	E Y .KIM	Title	FOR B/W & COLOR f=6.0MM Fno 2.0
		ANGLE 1°/2	Checked	J H .PARK		
A4	Scale	N/S	X. ± 0.2	Approved	Dwg No.	DATE
			.X ± 0.1			
			.XX ± 0.05			REVISION NO.
						-00