

5.7MM (K TYPE)

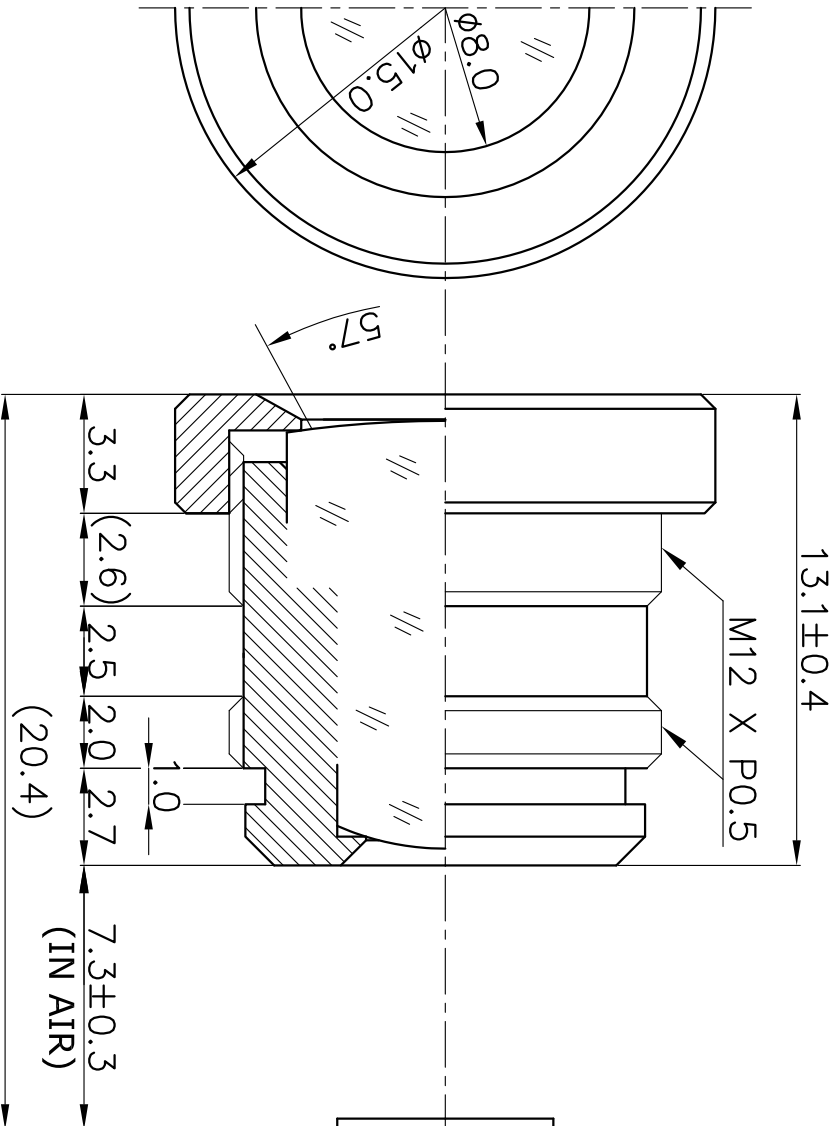


IMAGE PLANE

1. SENSING AREA : 1/3" & (1/4")
 2. FOCAL LENGTH : 5.7MM ± 5%
 3. BACK FOCAL LENGTH : 7.8MM ± 5% (IN AIR)
 4. MAXIMUM RELATIVE APERTURE : 2.0 ± 5%
 5. IRIS : FIXED
 6. LENS CONSTRUCTION : 5COMPONENTS SELEMENTS
 7. ANGULAR FIELD OF VIEW : 1/3" & 1/4"
 DIAGONAL 57.0° 44.8°
 HORIZONTAL 47.1° 35.5°
 VERTICAL 36.2° 26.8°
 8. MINIMUM OBJECT DISTANCE : 40 CM -00
 9. WEIGHT : 4.0gr
- (IT IS CHANGEABLE ON EXTERNAL DIMENSION BY
 BY CUSTOMER'S REQUIREMENT.)

E-mail : hki9612@hkopto.com
 Website : http://hkopto.com

		A4		Scale	N/S			Dwg No.	HK-V5755	DATE	2019.01.07	REVISION NO.	-00
		TOLERANCES		Designed	E Y .KIM			Title	FOR B/W & COLOR f=5.7MM Fno 2.0				
ANGLE 1°/2		Checked	J H .PARK										
X. ± 0.2		Approved											
.X ± 0.1													
.XX ± 0.05													