

2.0MM (K TYPE)

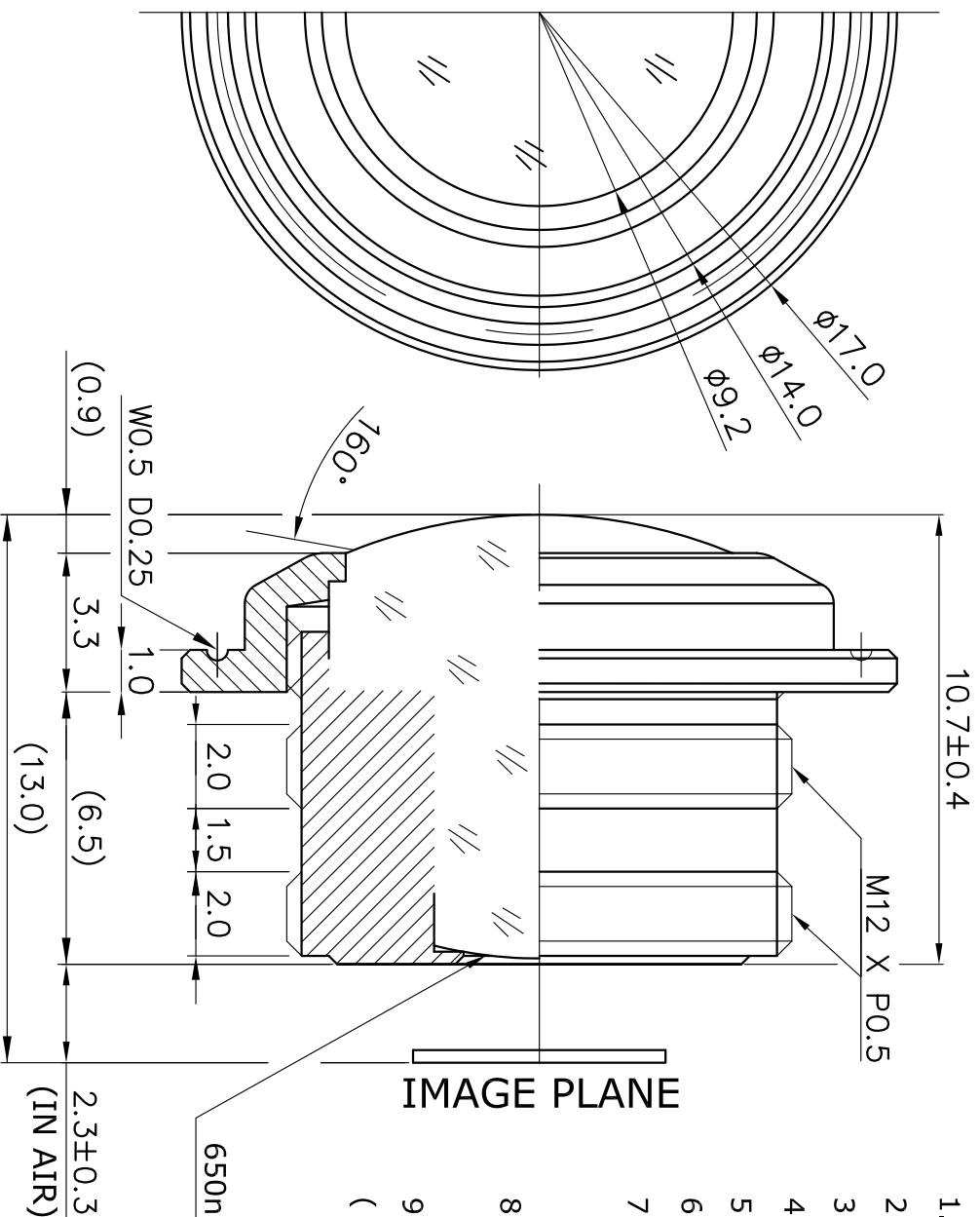


IMAGE PLANE

650nm IR-CUT COATING

- 1. SENSING AREA : 1/4" CMOS (OV7950)
 - 2. FOCAL LENGTH : 2.0MM ± 5%
 - 3. BACK FOCAL LENGTH : 2.47MM ± 5%
 - 4. MAXIMUM RELATIVE APERTURE : 2.5 ± 5%
 - 5. IRIS : FIXED
 - 6. LENS CONSTRUCTION : 6 ELEMENTS (1ASP / 5G)
 - 7. ANGULAR FIELD OF VIEW :
 DIAGONAL 160°
 HORIZONTAL 121°
 VERTICAL 90°
 - 8. COATING : Anti-fog Coating & HARD Coating
 650nm IR-CUT COATING
 - 9. FUNCTION : Waterproof Lens
- (IT IS CHANGEABLE ON EXTERNAL DIMENSION BY CUSTOMER'S REQUIREMENT.)

E-mail : hk19612@hkopto.com
 Website : <http://hkopto.com>

		TOLERANCES	Designed	E Y .KIM	Title	f=2.0mm F/2.5 1/4" CMOS Waterproof Automotive Lens
		ANGLE 1°/2	Checked	J H .PARK		
X. ± 0.2	Approved	Dwg No.	HK-A206S(WP)	DATE	2019.01.14	REVISION NO. -01
.X ± 0.1						
.XX ± 0.05						
A4	Scale	N/S				