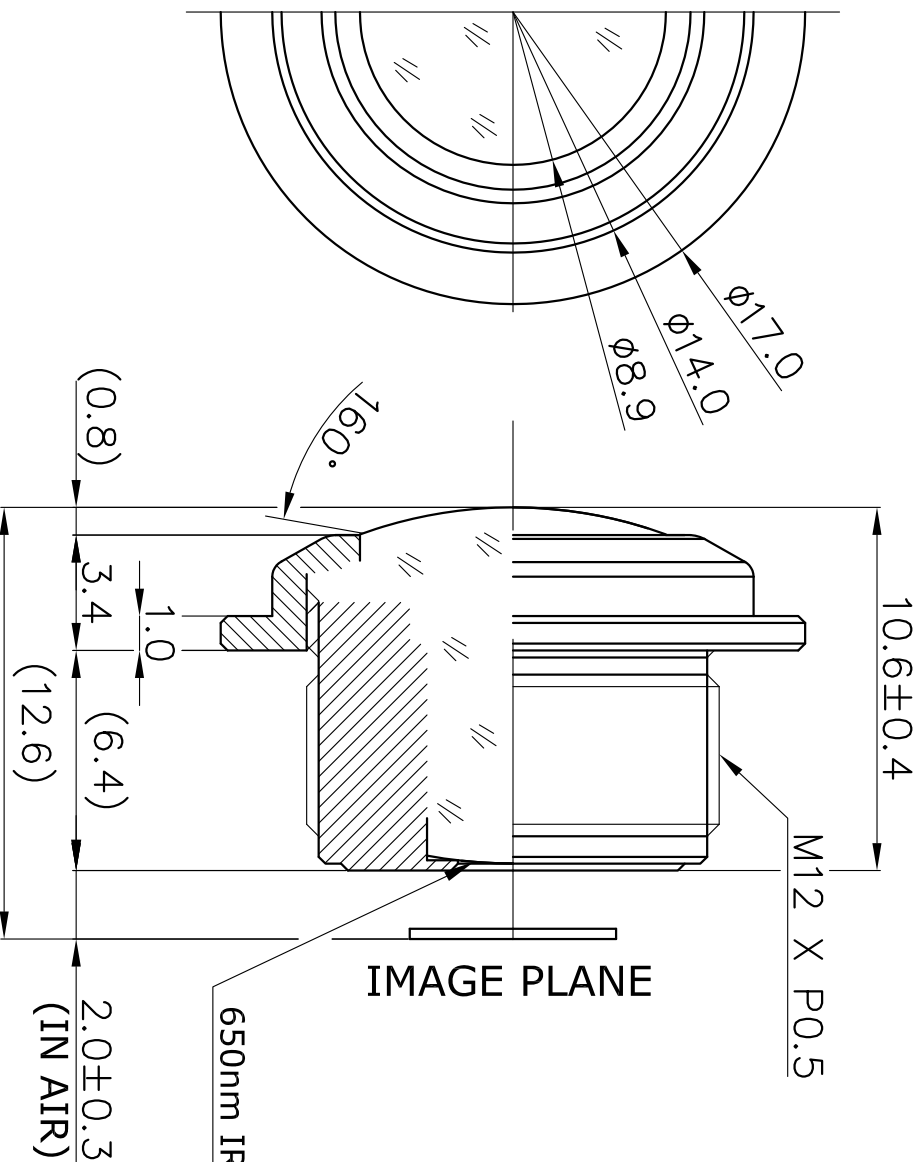


1.8MM (FT TYPE)



1. SENSING AREA : 1/4" CCD (3.6mm X 2.7mm)
 2. FOCAL LENGTH : 1.8MM ± 5%
 3. BACK FOCAL LENGTH : 2.2MM ± 5%
 4. MAXIMUM RELATIVE APERTURE : 2.5 ± 5%
 5. IRIS : FIXED
 6. LENS CONSTRUCTION : 6 ELEMENTS (1ASP / 5G)
 7. ANGULAR FIELD OF VIEW :
 DIAGONAL 160°
 HORIZONTAL 120°
 VERTICAL 90°
 8. COATING : Anti-fog Coating & HARD Coating
 650nm IR-CUT COATING
 9. FUNCTION : Waterproof Lens
- (IT IS CHANGEABLE ON EXTERNAL DIMENSION
 BY CUSTOMER'S REQUIREMENT.)
- 650nm IR-CUT COATING**

E-mail : hki9612@hkopto.com
 Website : http://hkopto.com

		TOLERANCES		Designed	E Y .KIM	Title	f=1.8mm F/2.5 1/4" CCD Waterproof Automotive Lens
		ANGLE 1°/2	Checked	J H .PARK			
X.	± 0.2	Approved		DATE	2019.01.10	REVISION NO.	-01
.X	± 0.1						
.XX	± 0.05						
A4	Scale	N/S	Dwg No.	HK-A186S(WP)			