

# 1.7MM ( FT TYPE )

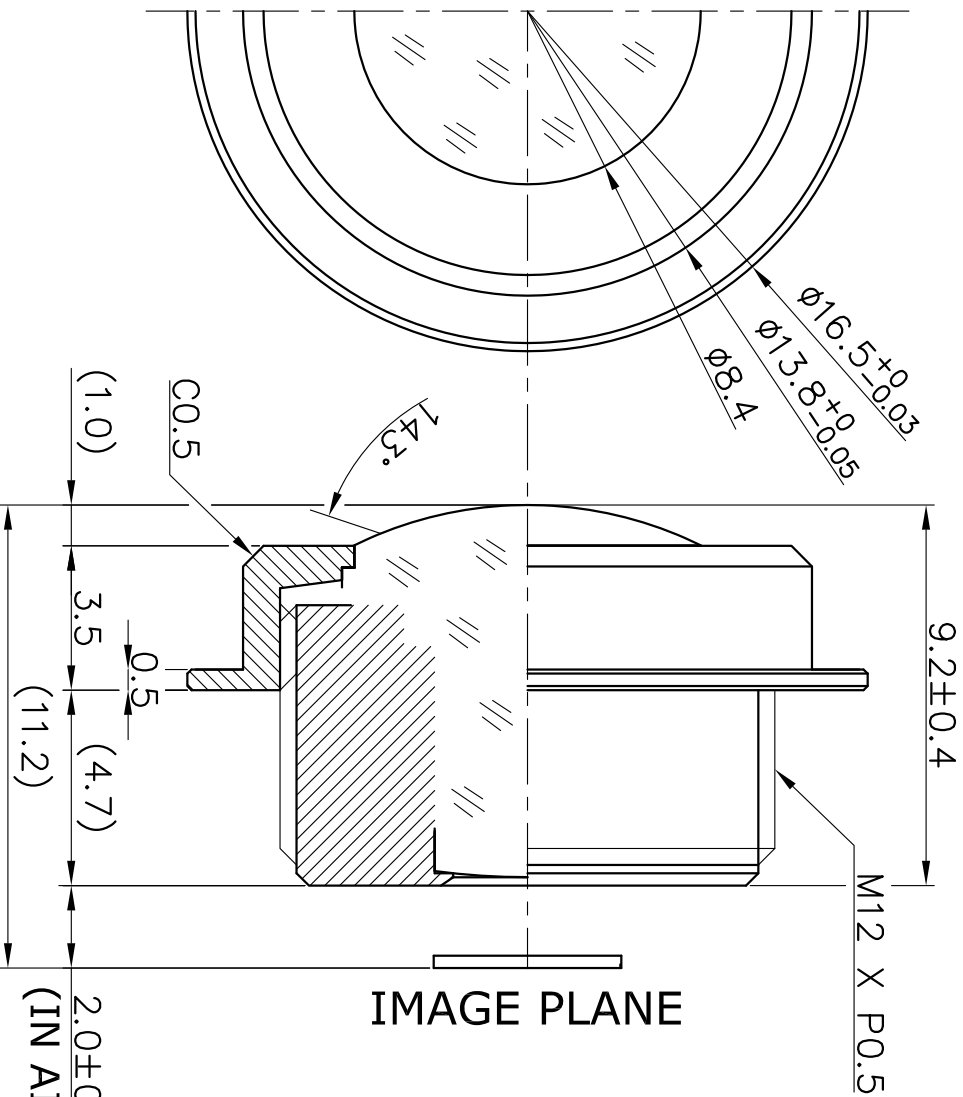


IMAGE PLANE

1. SENSING AREA : 1/4" CCD
2. FOCAL LENGTH : 1.7MM ± 5%
3. BACK FOCAL LENGTH : 2.2MM ± 5%
4. MAXIMUM RELATIVE APERTURE : 2.0 ± 5%
5. IRIS : FIXED
6. LENS CONSTRUCTION : 6ELEMENTS (1ASP / 5G)
7. ANGULAR FIELD OF VIEW :  
 DIAGONAL 143.0°  
 HORIZONTAL 114.4°  
 VERTICAL 86.0°

8. COATING : Anti-fog Coating & HARD Coating  
 9. FUNCTION : Waterproof Lens  
 ( IT IS CHANGEABLE ON EXTERNAL DIMENSION  
 BY CUSTOMER'S REQUIREMENT.)

E-mail : hki9612@hkopto.com  
 Website : http://hkopto.com

		TOLERANCES	Designed	E Y .KIM	Title	f=1.7MM Fno 2.0 Waterproof Automotive Lens
		ANGLE 1°/2	Checked	J H .PARK		
A4	Scale	N/S			DATE	REVISION NO.
			Dwg No.	HK-A176S(WPT)		