

# 1.5MM ( FT TYPE )

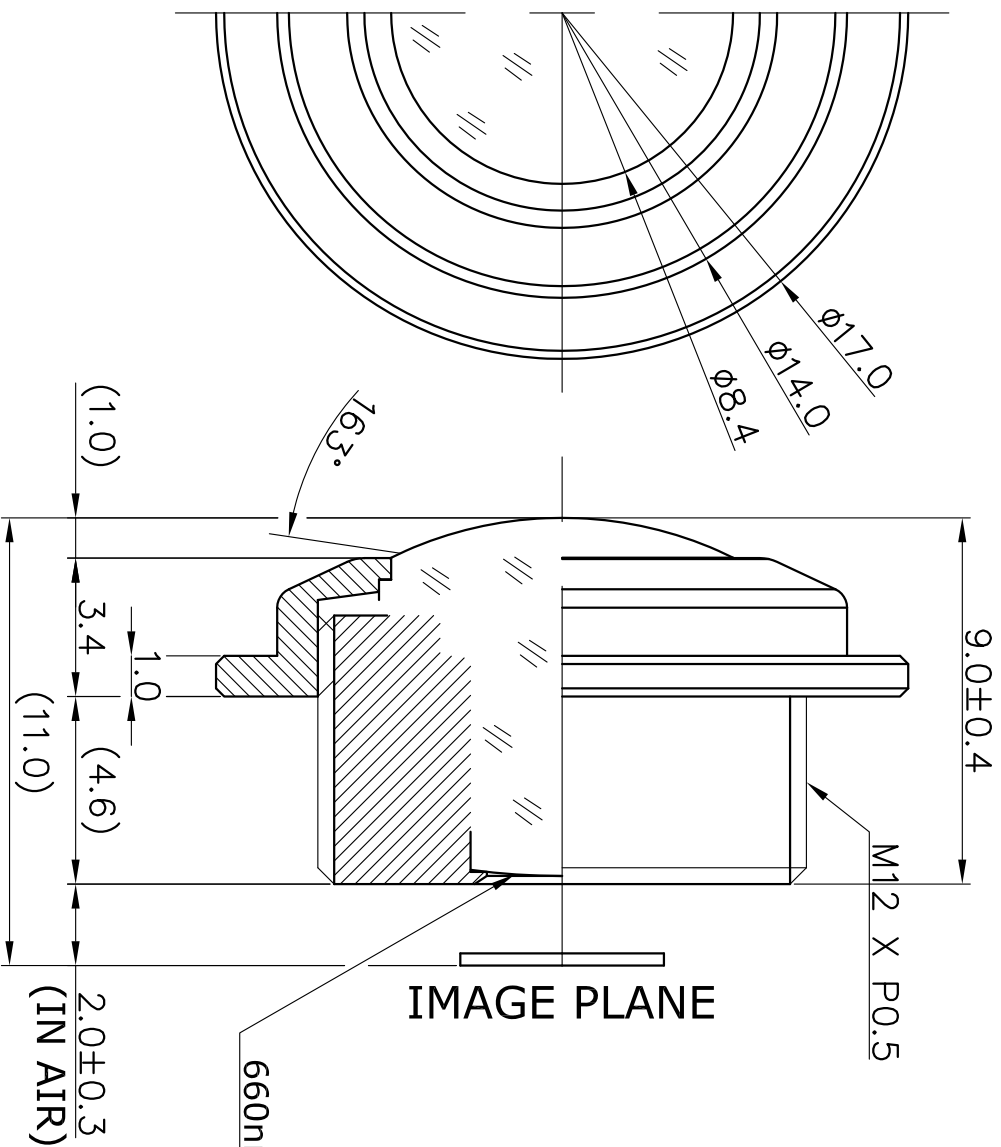


IMAGE PLANE

660nm IR-CUT COATING

1. SENSING AREA : 1/4" CCD
2. FOCAL LENGTH : 1.5MM ± 5%
3. BACK FOCAL LENGTH : 2.2MM ± 5% (WITHOUT FILTER)
4. MAXIMUM RELATIVE APERTURE : 1.9 ± 5%
5. IRIS : FIXED
6. LENS CONSTRUCTION : GELEMENTS (1ASP / 5G)
7. ANGULAR FIELD OF VIEW :  
 DIAGONAL 163.0°  
 HORIZONTAL 130.0°  
 VERTICAL 100.9°
8. COATING : Anti-fog Coating & HARD Coating  
 660nm IR-CUT COATING
9. FUNCTION : Waterproof Lens  
 ( IT IS CHANGEABLE ON EXTERNAL DIMENSION  
 BY CUSTOMER'S REQUIREMENT. )

E-mail : hki9612@hkopto.com  
 Website : http://hkopto.com



<b>A4</b>		Scale	N/S		Dwg No.	HK-A156S(WP)	DATE	2019.01.10	REVISION NO.	-00
TOLERANCES		Designed	E Y .KIM		Title		f=1.5MM Fno 1.9 Waterproof Automotive Lens			
ANGLE 1°/2		Checked	J H .PARK							
X. ± 0.2		Approved								
.X ± 0.1										
.XX ± 0.05										