

1.2 MM (FT TYPE)

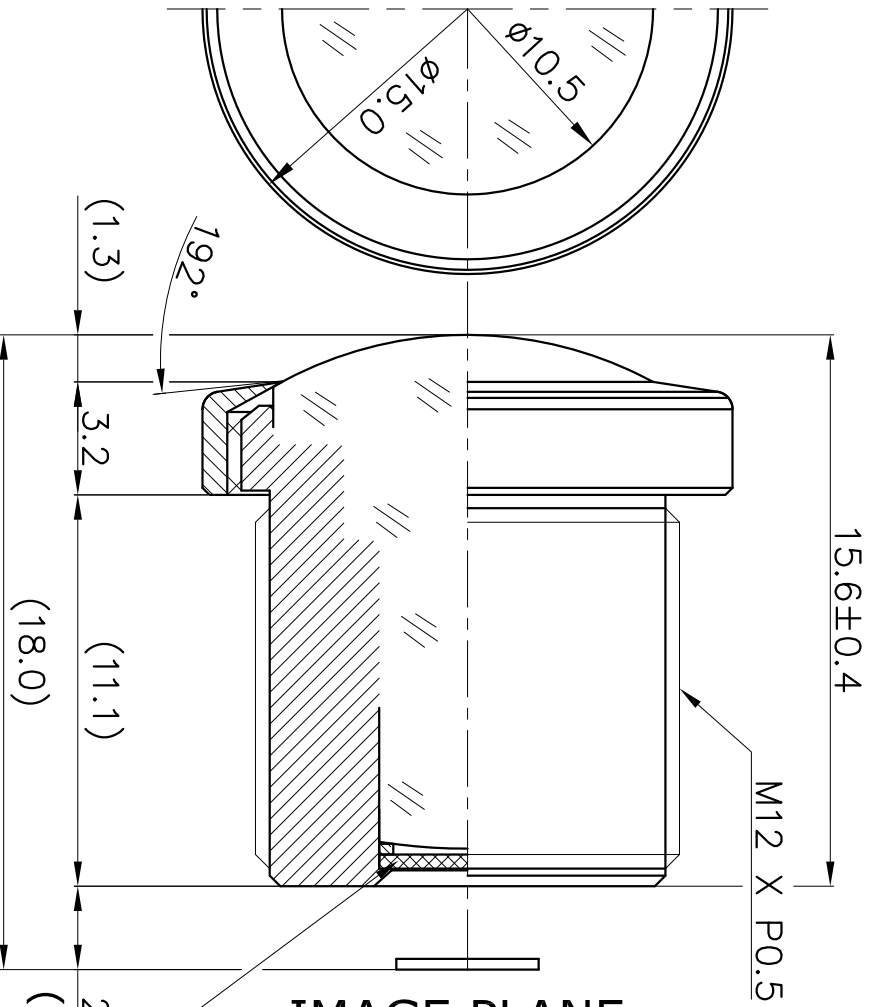


IMAGE PLANE

650nm IR-CUT FILTER($t=0.4$)

1. SENSING AREA : OV9715[4.565(D) X 3.888(H) X 2.43(V)(mm)]
& 1/4"CCD
 2. FOCAL LENGTH : 1.2MM \pm 5%
 3. BACK FOCAL LENGTH : 2.9MM \pm 5% (WITHIN FILTER)
 4. MAXIMUM RELATIVE APERTURE : 2.0 \pm 5%
 5. IRIS : FIXED
 6. LENS CONSTRUCTION : 7COMPONENTS 7ELEMENTS
 7. ANGULAR FIELD OF VIEW : OV9715 & 1/4"CCD

DIAGONAL	192°	192°
HORIZONTAL	192°	175°
VERTICAL	114°	127°
- (IT IS CHANGEABLE ON EXTERNAL DIMENSION
BY CUSTOMER'S REQUIREMENT.)

E-mail : hki9612@hkopto.com
 Website : http://www.hkopto.com

		TOLERANCES		Designed	E Y .KIM	Title	F=1.2MM Fno 2.0 HFOV 192° Lens
		ANGLE 1°/2	Checked	J H .PARK			
X.	\pm 0.2	Approved	Dwg No.	HK-A127S(B1F)	DATE	2019.01.18	REVISION NO.
X.	\pm 0.1						
.XX	\pm 0.05						-00
A4	Scale	N/S					