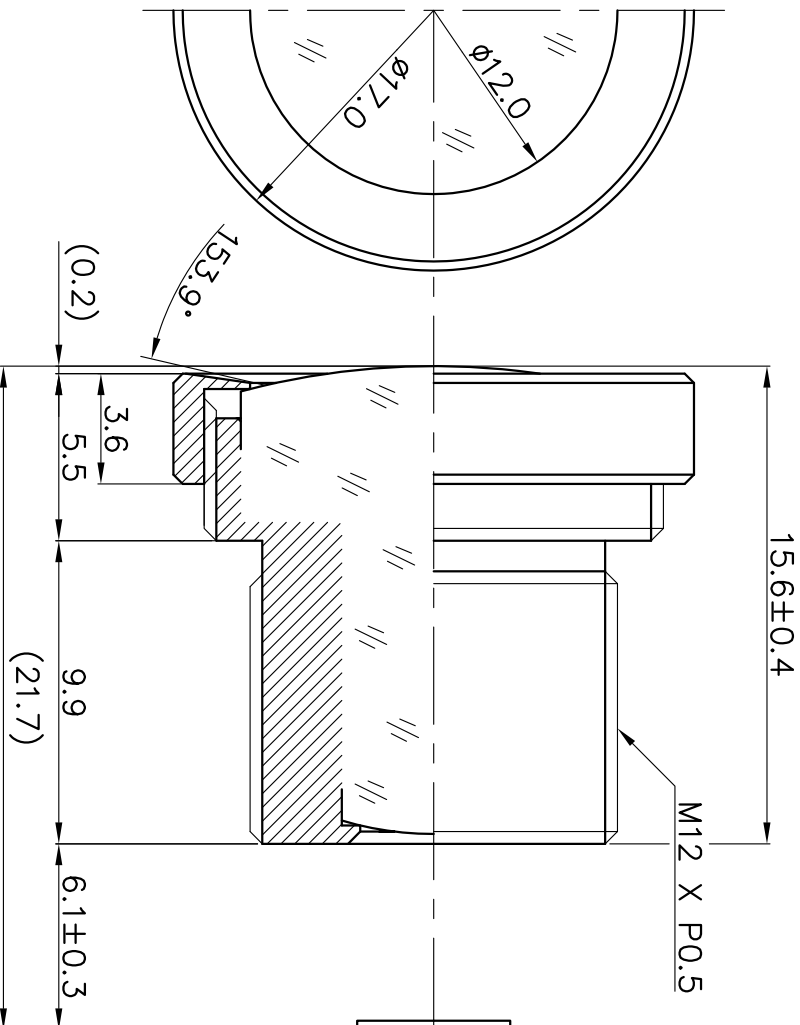


# 2.5MM (KC TYPE)



## IMAGE PLANE

(IN AIR)

1. SENSING AREA : 1/3" & (1/4")
  2. FOCAL LENGTH : 2.5MM ± 5%
  3. BACK FOCAL LENGTH : 6.4MM ± 5% (IN AIR)
  4. MAXIMUM RELATIVE APERTURE : 2.5 ± 5%
  5. IRIS : WITHOUT DIAPHRAGM
  6. LENS CONSTRUCTION : 6COMPONENTS 6ELEMENTS
  7. ANGULAR FIELD OF VIEW : 1/3" & (1/4")  
 DIAGONAL 153.9° 107.9°  
 HORIZONTAL 115.9° 84.3°  
 VERTICAL 85.7° 62.0°
  8. MINIMUM OBJECT DISTANCE : 50CM -00
  9. WEIGHT : 6.7gr
- ( IT IS CHANGEABLE ON EXTERNAL DIMENSION BY  
 BY CUSTOMER'S REQUIREMENT.)

E-mail : hki9612@hkopto.com  
 Website : http://hkopto.com

|  |       |          |           |              |                                    |
|--|-------|----------|-----------|--------------|------------------------------------|
|  |       | DESIGNED | E Y .KIM  | Title        | FOR B/W & COLOR<br>f=2.5MM Fno 2.5 |
|  |       | CHECKED  | J H .PARK |              |                                    |
| TOLERANCES<br>ANGLE 1°/2<br>X. ± 0.2<br>.X ± 0.1<br>.XX ± 0.05 |       | APPROVED |           | DATE         | 2018.01.07                         |
| A4   | Scale | N/S      | Dwg No.   | HK-V256S(KC) | REVISION NO.                       |
|  |       |          |           |              | -00                                |