

# 1.2MM ( FT TYPE )

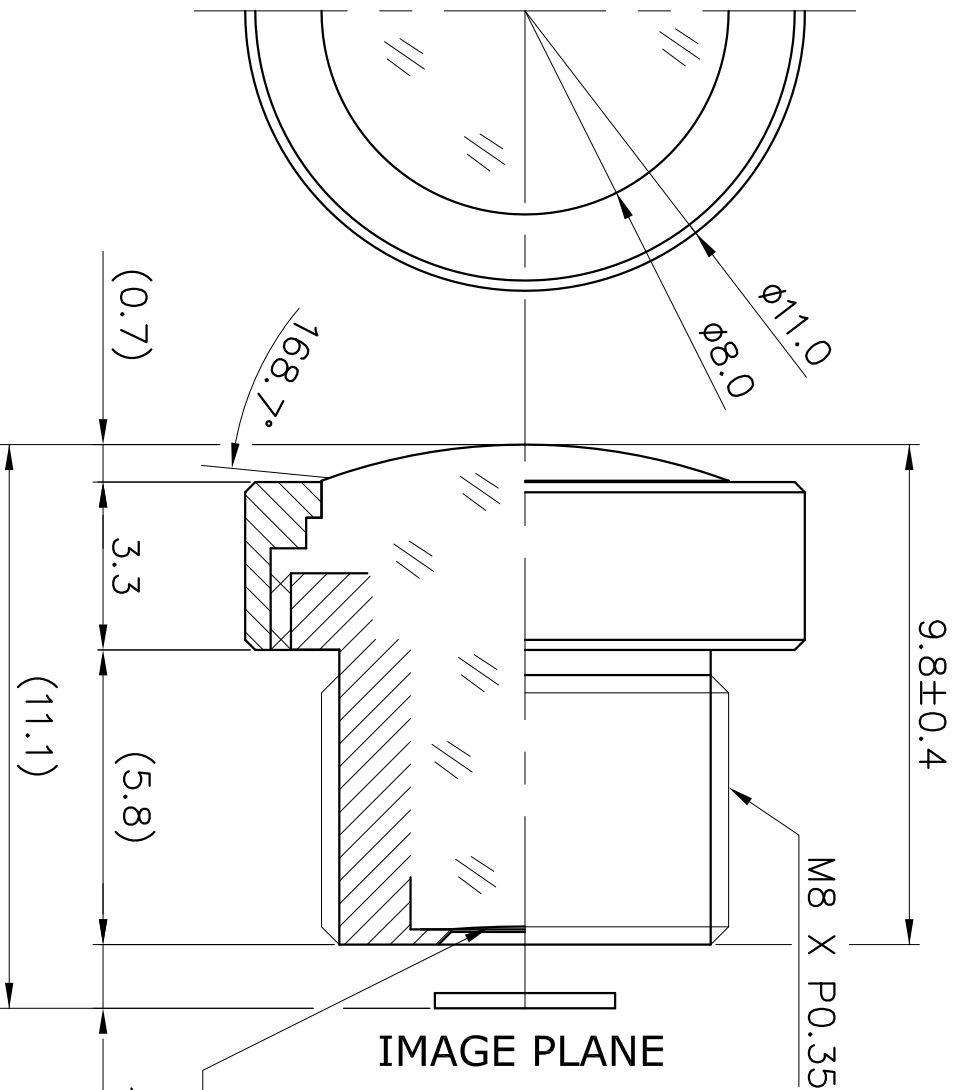


IMAGE PLANE

660nm IR-CUT Coating

1.3±0.3  
(IN AIR)

1. SENSING AREA : 1/5" CMOS (OV2650/55)
  2. FOCAL LENGTH : 1.2MM ± 5%
  3. BACK FOCAL LENGTH : 1.6MM ± 5% (WITHOUT FILTER)
  4. MAXIMUM RELATIVE APERTURE : 1.9 ± 5%
  5. IRIS : FIXED
  6. LENS CONSTRUCTION : GELEMENTS (1ASP / 5G)
  7. ANGULAR FIELD OF VIEW :
    - DIAGONAL 168.7°
    - HORIZONTAL 130.9°
    - VERTICAL 97.0°
- ( IT IS CHANGEABLE ON EXTERNAL DIMENSION  
BY CUSTOMER'S REQUIREMENT. )

E-mail : hki9612@hkopto.com  
Website : http://www.hkopto.com

		TOLERANCES		Designed	E Y .KIM	Title	f=1.2MM Fno 1.9 1/5"CMOS Automotive Lens
		ANGLE 1°/2	Checked	J H .PARK			
X.	± 0.2	Approved	DATE	2019.01.10	REVISION NO.	-00	
.X	± 0.1						
.XX	± 0.05	Dwg No.	HK-A126S (KTG M8)				
A4	Scale	N/S					