

# 1.9MM (FT TYPE)

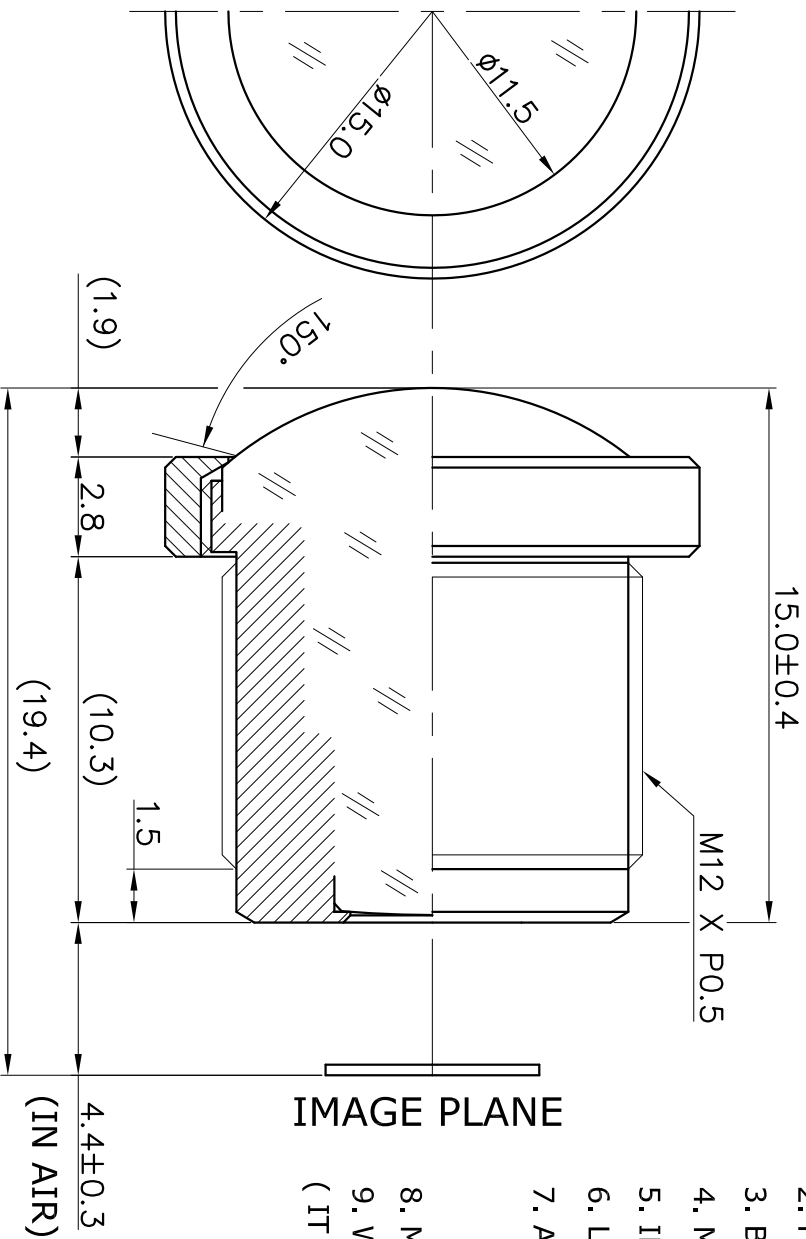


IMAGE PLANE

1. SENSING AREA : 1/4" (Diagonal 4.5mm)
  2. FOCAL LENGTH : 1.9MM ± 5%
  3. BACK FOCAL LENGTH : 4.5MM ± 5% (IN AIR)
  4. MAXIMUM RELATIVE APERTURE : 2.0 ± 5%
  5. IRIS : FIXED
  6. LENS CONSTRUCTION : 5COMPONENTS SELEMENTS
  7. ANGULAR FIELD OF VIEW  
 DIAGONAL 150.0°  
 HORIZONTAL 118.1°  
 VERTICAL 90.8°
  8. MINIMUM OBJECT DISTANCE : 400CM -00
  9. WEIGHT : 4.8gr
- ( IT IS CHANGEABLE ON EXTERNAL DIMENSION BY  
 BY CUSTOMER'S REQUIREMENT.)

E-mail : hki9612@hkopto.com  
 Website : http://www.hkopto.com

		TOLERANCES		Designed	E Y .KIM	Title	f=1.9MM Fno 2.0
		ANGLE 1°/2	Checked	J H .PARK			
A4	Scale	N/S	X. ± 0.2	Approved	Dwg No.	HK-V195S	DATE
			.X ± 0.1				
			.XX ± 0.05				