

# 1.68MM (FT TYPE)

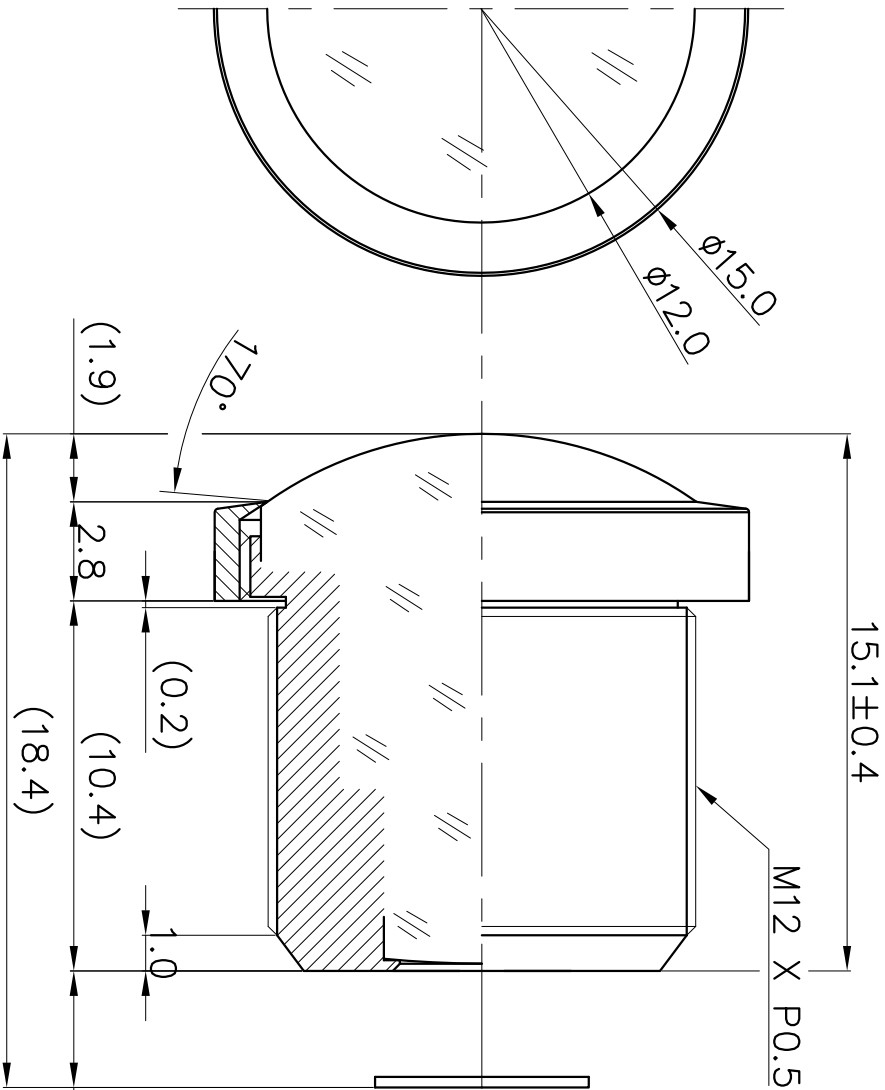


IMAGE PLANE

- 1. SENSING AREA : 1/4"(Diagonal 4.5mm)
  - 2. FOCAL LENGTH : 1.68MM ± 5%
  - 3. BACK FOCAL LENGTH : 3.48MM ± 5% (IN AIR)
  - 4. MAXIMUM RELATIVE APERTURE : 2.5± 5%
  - 5. IRIS : FIXED
  - 6. LENS CONSTRUCTION : 5COMPONENTS SELEMENTS
  - 7. ANGULAR FIELD OF VIEW  
 DIAGONAL 170.0°  
 HORIZONTAL 132.9°  
 VERTICAL 101.1°
  - 8. MINIMUM OBJECT DISTANCE : 40CM -00
  - 9. WEIGHT : 6.4gr
- ( IT IS CHANGEABLE ON EXTERNAL DIMENSION BY  
 BY CUSTOMER'S REQUIREMENT.)

E-mail : hki9612@hkopto.com  
 Website : http://www.hkopto.com

		TOLERANCES		Designed	BANG HYE SUN	Title	f=1.68MM Fno 2.5 Wide-angle Lens
		ANGLE 1°/2	Checked	PARK JIN HYUN			
X.	± 0.2	.X.	± 0.1	Approved		DATE	240518
.XX	± 0.05						REVISION NO. -00
A4	Scale	N/S		Dwg No.	HK-V16855		