

6.0 MM (K TYPE)

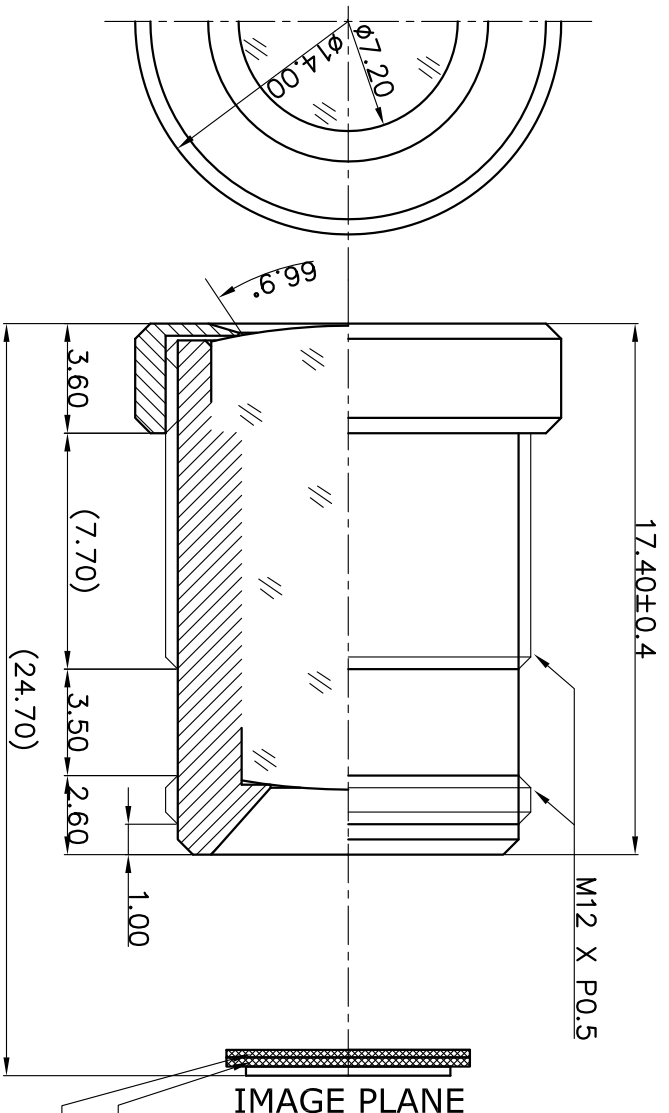


IMAGE PLANE

0.3t(Sensor Cover Glass)
0.25t(IR-CUT Filter + Dummy Filter Change)

1. SENSING AREA : OV2715[Omnivision 2MP 1/2.7"CMOS]
IMX122[SONY 1/2.9"CMOS]
2. FOCAL LENGTH : 6.0MM ± 5%
3. BACK FOCAL LENGTH : 9.4MM ± 5%(IN AIR)
4. MAXIMUM RELATIVE APERTURE : 2.0 ± 5%
5. IRIS : FIXED
6. LENS CONSTRUCTION : 5 COMPONENTS 5 ELEMENTS
7. ANGULAR FIELD OF VIEW : OV2715 IMX122
DIAGONAL 66.9° 63.6°
HORIZONTAL 57.8° 53.3°
VERTICAL 31.8° 33.1°
8. FUNCTION : IR-Correction Lens
(IT IS CHANGEABLE ON EXTERNAL DIMENSION
BY CUSTOMER'S REQUIREMENT.)

E-mail : hki9612@ktnet.co.kr
Website : http://optical.hkopto.com

		TOLERANCES		Designed	CHOI DAE HOON	Title	f=6.0MM Fno 2.0 2 Mega-Pixel IR-CORRECTION Lens
		ANGLE 1°/2	Checked	PARK JIN HYUN			
A4	Scale	N/S	X. ± 0.2	Approved	Dwg No.	DATE	REVISION NO.
			.X ± 0.1				
			.XX ± 0.05		HK-29M6055	2014.07.23	-01 [2014.07.25]