

# 6.0 MM ( K TYPE )

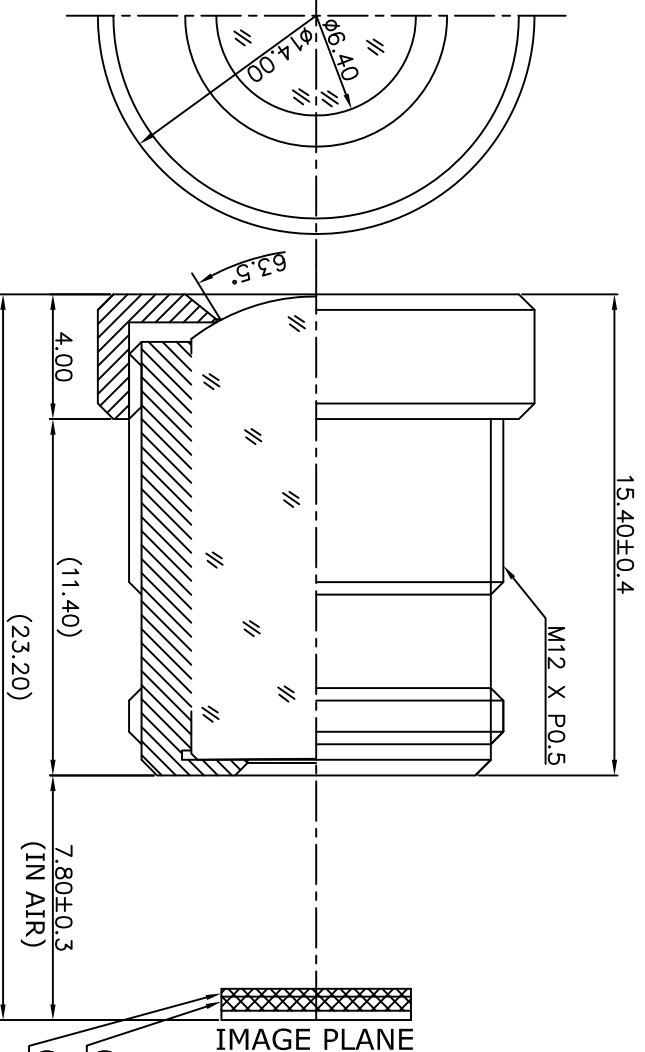


IMAGE PLANE

0.45t(Sensor Cover Glass)

0.25t(IR-CUT Filter + Dummy Filter Change)

1. SENSING AREA : IMX122[SONY 1/2.9" CMOS]  
1/3"[6mm(D) X 4.8mm(H) X 3.6mm(V)]
2. FOCAL LENGTH : 6.0MM ± 5%
3. BACK FOCAL LENGTH : 8.3MM ± 5% (IN AIR)
4. MAXIMUM RELATIVE APERTURE : 2.0 ± 5%
5. IRIS : FIXED
6. LENS CONSTRUCTION : 4 COMPONENTS 4 ELEMENTS
7. ANGULAR FIELD OF VIEW : IMX122 1/3"  
DIAGONAL 63.5° 59.3°  
HORIZONTAL 53.3° 46.9°  
VERTICAL 33.1° 35.0°
8. FUNCTION : IR-Correction Lens  
( IT IS CHANGEABLE ON EXTERNAL DIMENSION  
BY CUSTOMER'S REQUIREMENT.)

E-mail : hki9612@hkopto.com  
Website : http://optical.hkopto.com



A4

Scale

N/S



Dwg No.

HK-29M604(S)

DATE

2014.09.19

REVISION NO.  
-00

TOLERANCES

ANGLE 1°/2

X. ± 0.2

.X ± 0.1

.XX ± 0.05

Designed

Checked

Approved

Choi Dae Hoon

Title

f=6.0MM Fno 2.0  
2Mega pixel Lens  
(IR-Correction)