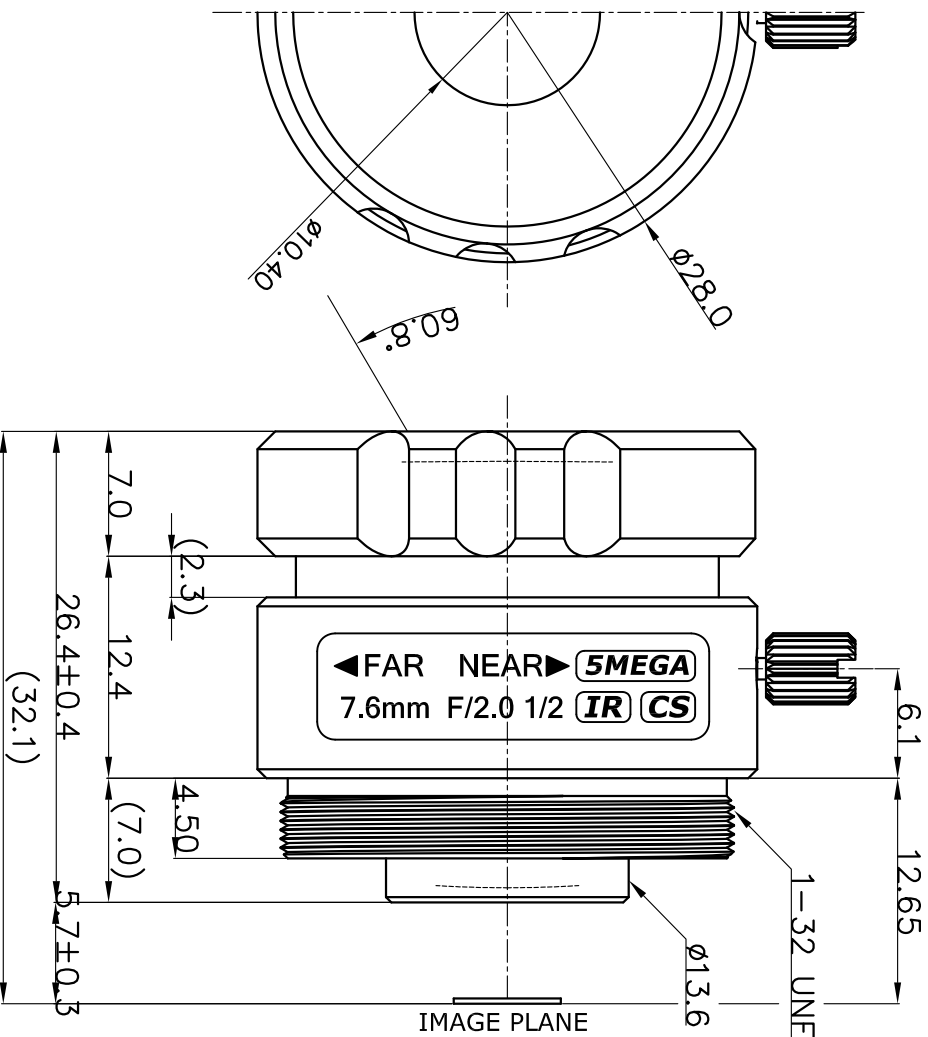


7.6MM (CS-MOUNT)



- 1. SENSING AREA : IMX178 [2592(H) x 1944(V)]
IMX274 [3840(H) x 2160(V)]
- 2. FOCAL LENGTH : 7.6MM ± 5%
- 3. BACK FOCAL LENGTH : 6.1MM ± 5% (IN AIR)
- 4. MAXIMUM RELATIVE APERTURE : 2.0 ± 5%
- 5. IRIS : FIXED
- 6. LENS CONSTRUCTION : 7 Elements (7 Glasses)
- 7. FUNCTION : IR-CORRECTION LENS
- 8. ANGULAR FIELD OF VIEW :

Field of view Unit(deg)	Model no Unit(mm)	Model no Unit(mm)
	IMX178 LO1 [1.2"] 7.78(O) X 6.22(H) X 4.67(V)	IMX274 [1.2.5"] 7.137(O) X 6.22(H) X 3.499(V)
DIAGONAL	60.8°	55.4°
HORIZONTAL	47.9°	47.9°
VERTICAL	35.6°	26.6°

(IT IS CHANGEABLE ON EXTERNAL DIMENSION
BY CUSTOMER'S REQUIREMENT.)

E-mail : hki9612@hkopto.com
Website : http://hkopto.com

		TOLERANCES		Designed	KIM EUN YOUNG	Title	f=7.6mm F/2.0 5Mega-pixel IR-Correction Lens
		ANGLE 1°/2	Checked	PARK JIN HYUN			
X. ± 0.2	Approved	Dwg No.	HK-M767S(5MP-IR)	DATE	2017.06.29	REVISION NO.	
.X ± 0.1							-00
.XX ± 0.05	A4		Scale	N/S			