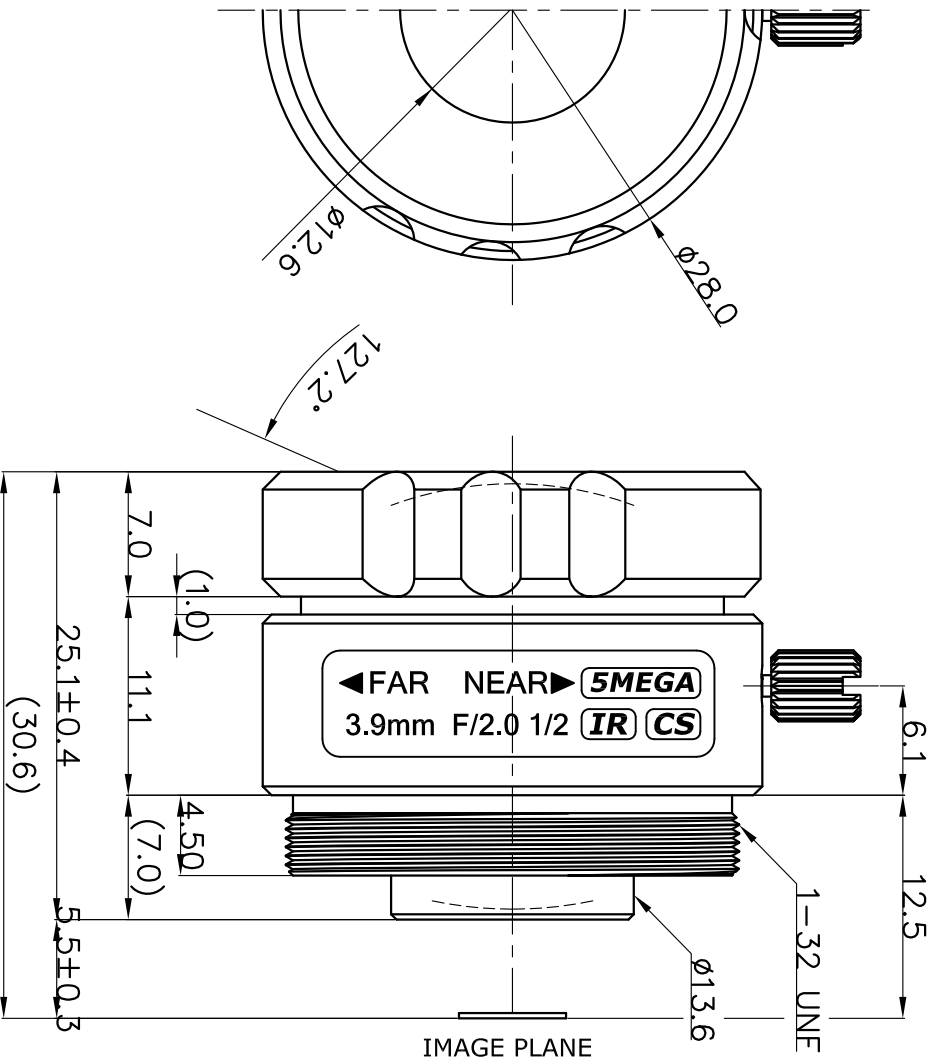


3.9MM (CS-MOUNT)



1. SENSING AREA : IMX178 [2592(H) x 1944(V)]
IMX274 [3840(H) x 2160(V)]
2. FOCAL LENGTH : 3.9MM ± 5%
3. BACK FOCAL LENGTH : 6.1MM ± 5% (IN AIR)
4. MAXIMUM RELATIVE APERTURE : 2.0 ± 5%
5. IRIS : FIXED
6. LENS CONSTRUCTION : 8 Elements (8 Glasses)
7. FUNCTION : IR-CORRECTION LENS
8. ANGULAR FIELD OF VIEW :

Field of view Unit(deg)	Model no Unit(mm)	Model no Unit(mm)
DIAGONAL	IMX178 LOJ [1.2"] 7.78(0) X 6.22(0) X 4.67(0)	IMX274 [1.2.5"] 7.137(0) X 6.221(0) X 3.499(0)
HORIZONTAL	96.1°	96.1°
VERTICAL	70.0°	51.7°

(IT IS CHANGEABLE ON EXTERNAL DIMENSION
BY CUSTOMER'S REQUIREMENT.)

E-mail : hki9612@hkopto.com
Website : http://hkopto.com

		TOLERANCES		Designed	KIM EUN YOUNG	Title	f=3.9mm F/2.0 5Mega-pixel IR-Correction Lens
		ANGLE 1°/2	Checked	PARK JIN HYUN			
X. ± 0.2	Approved	Dwg No.	HK-M398S(5MP-IR)	DATE	2017.05.19	REVISION NO.	
.X ± 0.1							-00
.XX ± 0.05	Scale N/S		A4				