

# 35.0MM (FT TYPE)

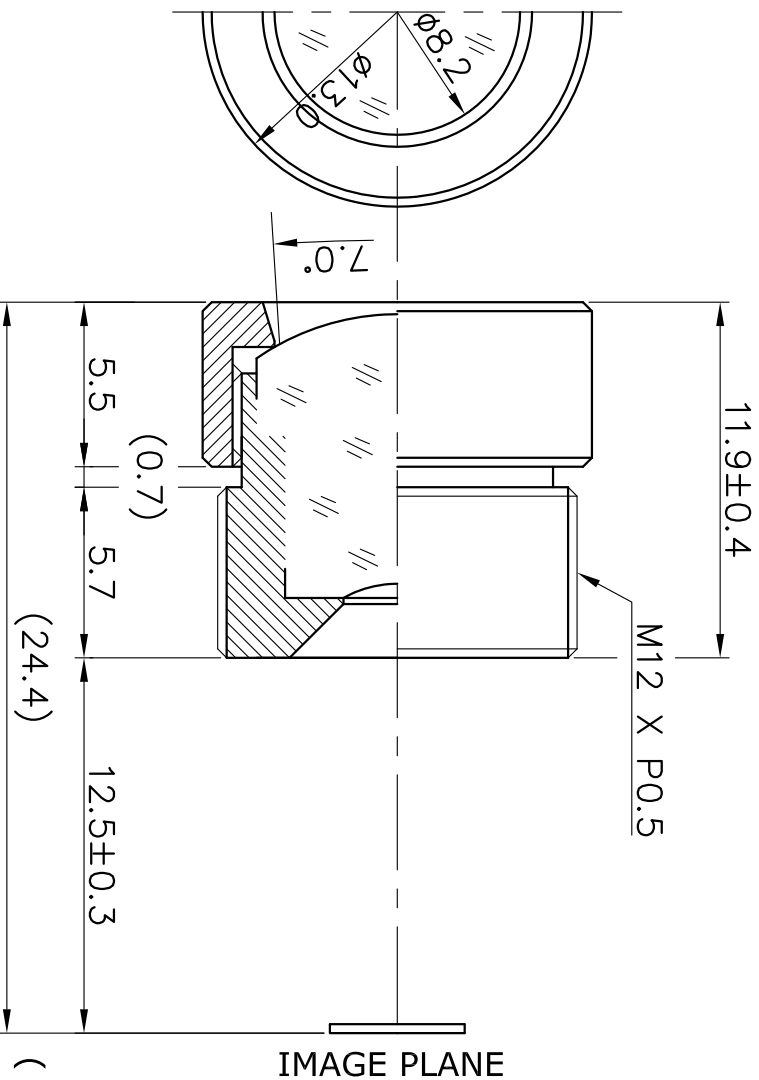


IMAGE PLANE

( IN AIR )

1. SENSING AREA : 1/4" CCD
  2. FOCAL LENGTH : 35.0MM ± 5%
  3. BACK FOCAL LENGTH : 15.0MM ± 5% (IN AIR)
  4. MAXIMUM RELATIVE APERTURE : 5.0± 5%
  5. IRIS : FIXED
  6. LENS CONSTRUCTION : 4COMPONENTS 4ELEMENTS
  7. ANGULAR FIELD OF VIEW :  
 DIAGONAL : 7.0°  
 HORIZONTAL : 4.5°  
 VERTICAL : 3.0°
  8. MINIMUM OBJECT DISTANCE : 1.0 CM -00
  9. WEIGHT : 3.4gr
- ( IT IS CHANGEABLE ON EXTERNAL DIMENSION BY  
 BY CUSTOMER'S REQUIREMENT. )

E-mail : hki9612@hkopto.com  
 Website : http://hkopto.com

		TOLERANCES	Designed	BANG HYE SUN	Title	f=35.0MM Fno 5.0 (Pacific Corporation)
		ANGLE 1°/2	Checked	PARK JIN HYUN		
A4	Scale	X. ± 0.2	Approved	Dwg No.	DATE	REVISION NO.
		.X ± 0.1				
	N/S	.XX ± 0.05		HK-R3504S(PA)	2019.01.09	-00