

12.0MM(K TYPE)

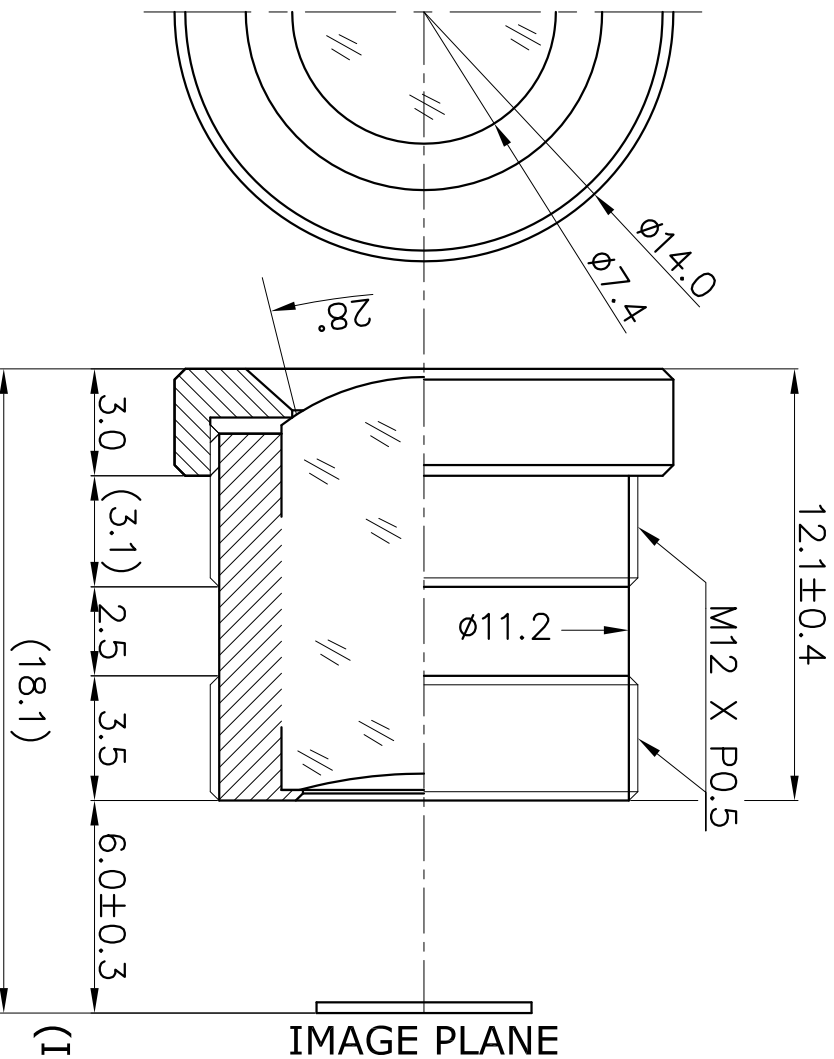


IMAGE PLANE

(IN AIR)

1. SENSING AREA : 1/3" & 1/4"
 2. FOCAL LENGTH : 12.0MM ± 5%
 3. BACK FOCAL LENGTH : 6.7MM ± 5% (IN AIR)
 4. MAXIMUM RELATIVE APERTURE : 2.0 ± 5%
 5. IRIS : WITHOUT DIAPHRAGM
 6. LENS CONSTRUCTION : 4COMPONENTS 4ELEMENTS
 7. ANGULAR FIELD OF VIEW : 1/3" & 1/4"
 DIAGONAL 28.0° & 21.2°
 HORIZONTAL 22.2° & 17.1°
 VERTICAL 16.3° & 12.6°
 8. MINIMUM OBJECT DISTANCE : 80CM -00
 9. WEIGHT : 4.5gr
- (IT IS CHANGEABLE ON EXTERNAL DIMENSION BY
 BY CUSTOMER'S REQUIREMENT.)

E-mail : hki9612@hkopto.com
 Website : http://www.hkopto.com

| | | A4 | | Scale | N/S | | Dwg No. | HK-R1204S | DATE | 241023 | FOR B/W & COLOR f=12.0MM Fno 2.0 (HIGH RESOLUTION) | | | | | | | | | | | |
|------------|----------|--|---------------|----------|---------|--|---------|--------------|------------|--------|--|--|--|----------|--|--|---------------|----------|----------|--|--|------------|
| | | <table border="1"> <tr> <th>TOLERANCES</th> <th>Designed</th> <th>Checked</th> <th>BANG HYE SUN</th> </tr> <tr> <td>ANGLE 1°/2</td> <td></td> <td></td> <td></td> </tr> <tr> <td>X. ± 0.2</td> <td></td> <td></td> <td>PARK JIN HYUN</td> </tr> <tr> <td>.X ± 0.1</td> <td>Approved</td> <td></td> <td></td> </tr> <tr> <td>.XX ± 0.05</td> <td></td> <td></td> <td></td> </tr> </table> | TOLERANCES | Designed | Checked | | | BANG HYE SUN | ANGLE 1°/2 | | | | | X. ± 0.2 | | | PARK JIN HYUN | .X ± 0.1 | Approved | | | .XX ± 0.05 |
| TOLERANCES | Designed | Checked | BANG HYE SUN | | | | | | | | | | | | | | | | | | | |
| ANGLE 1°/2 | | | | | | | | | | | | | | | | | | | | | | |
| X. ± 0.2 | | | PARK JIN HYUN | | | | | | | | | | | | | | | | | | | |
| .X ± 0.1 | Approved | | | | | | | | | | | | | | | | | | | | | |
| .XX ± 0.05 | | | | | | | | | | | | | | | | | | | | | | |
| | | | | | | | | | | | -00 | | | | | | | | | | | |