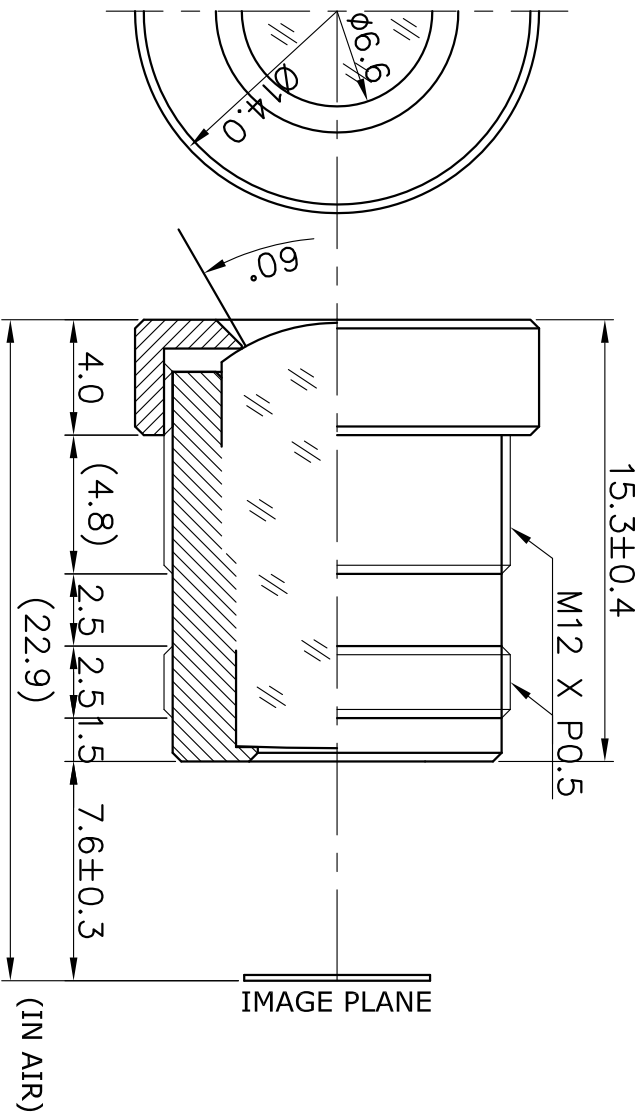


# 6.0MM (K TYPE)



1. SENSING AREA : 1/3" CCD & (1/4" CCD)
  2. FOCAL LENGTH : 6.0MM ± 5%
  3. BACK FOCAL LENGTH : 8.06MM ± 5% (IN AIR)
  4. MAXIMUM RELATIVE APERTURE : 2.0± 5%
  5. IRIS : WITHOUT DIAPHRAGM
  6. LENS CONSTRUCTION : 4COMPONENTS 4ELEMENTS
  7. ANGULAR FIELD OF VIEW : 1/3" & (1/4")  
 DIAGONAL 60.0° & 43.2°  
 HORIZONTAL 46.1° & 34.6°  
 VERTICAL 34.2° & 25.8°
  8. MINIMUM OBJECT DISTANCE : 30CM -00
  9. WEIGHT : 4.0gr
- ( IT IS CHANGEABLE ON EXTERNAL DIMENSION BY  
 BY CUSTOMER'S REQUIREMENT.)

E-mail : hki9612@hkopto.com  
 Website : http://hkopto.com

		TOLERANCES		Designed	BANG HYE SUN	Title	FOR B/W & COLOR f=6.0MM Fno 2.0 ( HIGH RESOLUTION )
		ANGLE 1°/2	Checked	PARK JIN HUYN			
A4	Scale	N/S	X. ± 0.2	Approved	Dwg No.	HK-R604S(N)	DATE
			.X ± 0.1				
			.XX ± 0.05				REVISION NO.
							-00