

2.3MM (K TYPE)

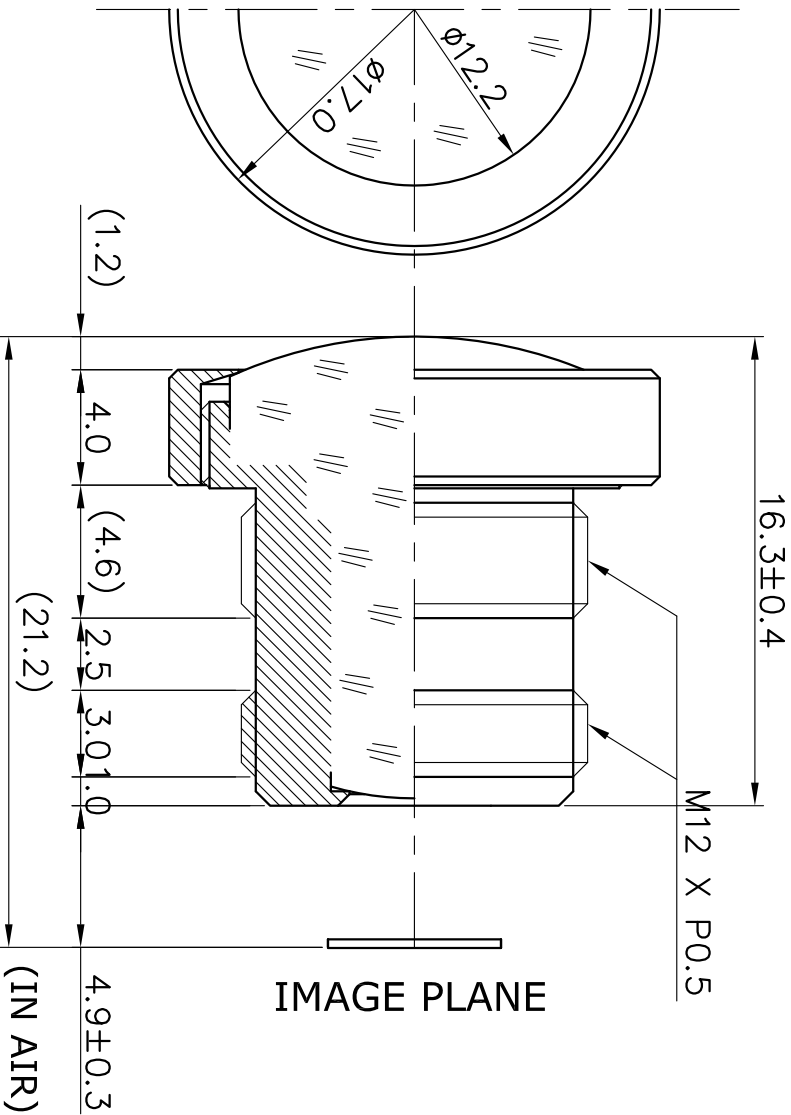


IMAGE PLANE

1. SENSING AREA : 1/3" CCD & (1/4" CCD)
 2. FOCAL LENGTH : 2.3MM ± 5%
 3. BACK FOCAL LENGTH : 5.2MM ± 5% (IN AIR)
 4. MAXIMUM RELATIVE APERTURE : 2.5± 5%
 5. IRIS : FIXED
 6. LENS CONSTRUCTION : 6COMPONENTS 6ELEMENTS
 7. ANGULAR FIELD OF VIEW : 1/3" & (1/4")
 DIAGONAL 158.3° & 117.1°
 HORIZONTAL 125.8° & 91.9°
 VERTICAL 97.3° & 69.1°
 8. MINIMUM OBJECT DISTANCE : 40CM -00
 9. WEIGHT : 6.3gr
- (IT IS CHANGEABLE ON EXTERNAL DIMENSION BY
 BY CUSTOMER'S REQUIREMENT.)

E-mail : hki9612@hkopto.com
 Website : http://hkopto.com

		TOLERANCES		Designed	BANG HYE SUN	Title	FOR B/W & COLOR f=2.3MM Fno 2.5 (HIGH RESOLUTION)
		ANGLE 1°/2	Checked	PARK JIN HYUN			
A4	Scale	N/S	X. ± 0.2	Approved	Dwg No.	DATE	REVISION NO.
			.X ± 0.1				
			.XX ± 0.05				-00