

1.2 MM (FT TYPE)

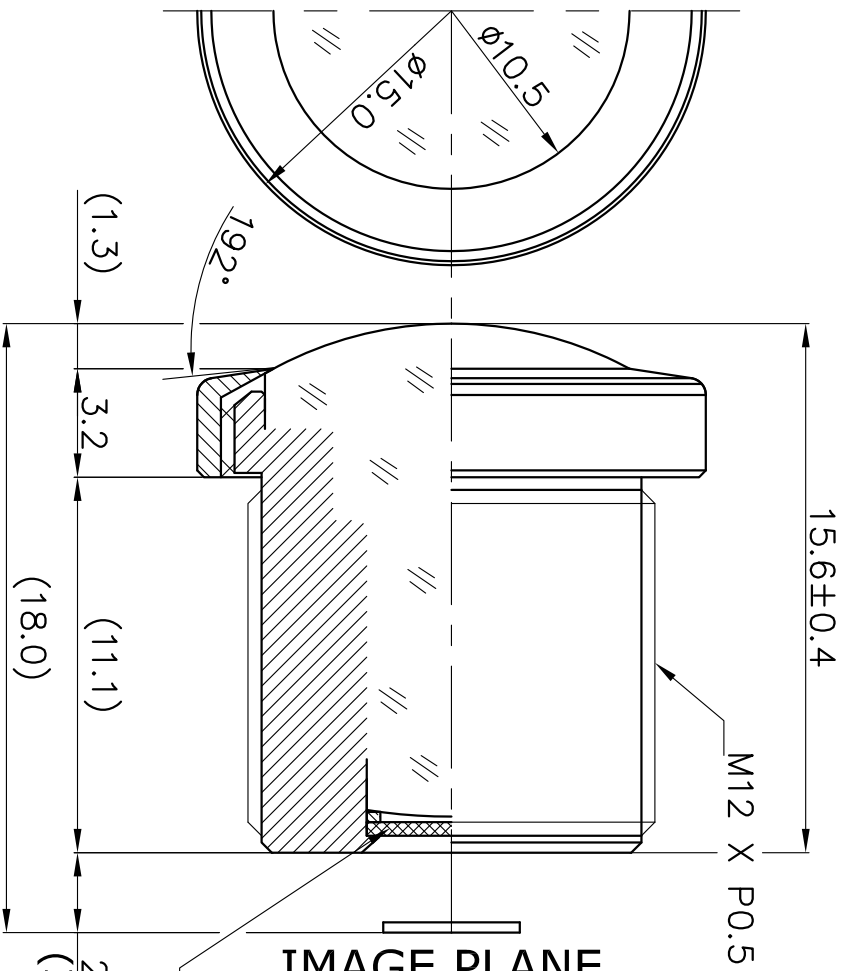


IMAGE PLANE

650nm IR-CUT FILTER(t=0.4)

1. SENSING AREA : OV9715[4.565(D) X 3.888(H) X 2.43(V)(mm)]
& 1/4"CCD
 2. FOCAL LENGTH : 1.2MM ± 5%
 3. BACK FOCAL LENGTH : 2.9MM ± 5% (WITHIN FILTER)
 4. MAXIMUM RELATIVE APERTURE : 2.0 ± 5%
 5. IRIS : FIXED
 6. LENS CONSTRUCTION : 7COMPONENTS 7ELEMENTS
 7. ANGULAR FIELD OF VIEW : OV9715 & 1/4"CCD

DIAGONAL	192°	192°
HORIZONTAL	192°	175°
VERTICAL	114°	127°
- (IT IS CHANGEABLE ON EXTERNAL DIMENSION
BY CUSTOMER'S REQUIREMENT.)

E-mail : hki9612@hkopto.com
 Website : http://hkopto.com

		TOLERANCES	Designed	E Y .KIM	Title	f=1.2MM Fno 2.0 HFOV 192° Lens
		ANGLE 1°/2	Checked	J H .PARK		
A4	Scale	X. ± 0.2	Approved	Dwg No.	HK-A127S(B1F)	DATE
		.X ± 0.1				
	N/S	.XX ± 0.05				REVISION NO.
						-02